

# Kolpen



---

**B G**



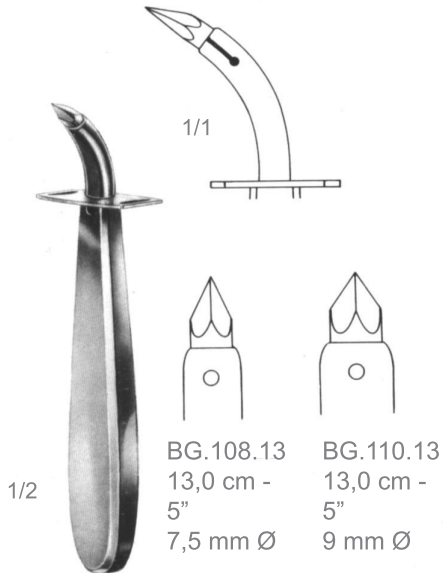
# Kolpen

TRACHEOTOMY  
TRACHEOTOMIE  
TRAQUEOTOMÍA

## Trachea Trocars, Dilators, Punches

TRACHEAL-TROKARE, -DILATATOREN, -STANZEN  
TRAQUEÓTOMOS, DILATADORES, PINZAS SACABOCADO

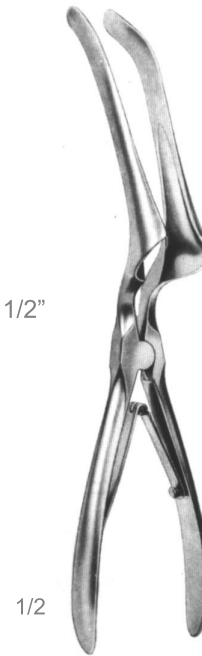
**BG**



**BG.108.13**  
**BG.110.13**

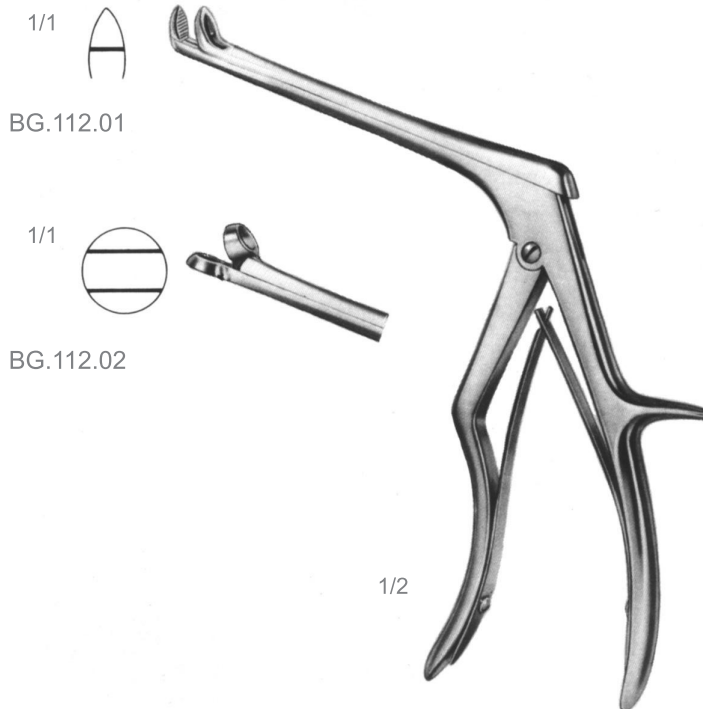
Uckermann  
Trachea Trocars,  
Dilators, Punches

BG.111.19  
19,0 cm - 7 1/2"



**BG.111.19**

Weerda  
Trachea Trocars,  
Dilators, Punches



**BG.112.01/02**

Trachea Trocars,  
Dilators, Punches

## Trachea Trocars, Dilators, Punches

TRACHEAL-TROKARE, -DILATATOREN, -STANZEN  
 TRAQUEÓTOMOS, DILATADORES, PINZAS SACABOCADO

# Kolpen

TRACHEOTOMY  
 TRACHEOTOMIE  
 TRAQUEOTOMÍA

**BG**



BG.113.14  
 14,0 cm - 5 1/2"

**BG.113.14**

Laborde  
 Trachea Trocars,  
 Dilators, Punches



1/1  
 BG.115.14  
 14,0 cm - 5 1/2"

**BG.115.14**

Trousseau  
 Trachea Trocars,  
 Dilators, Punches



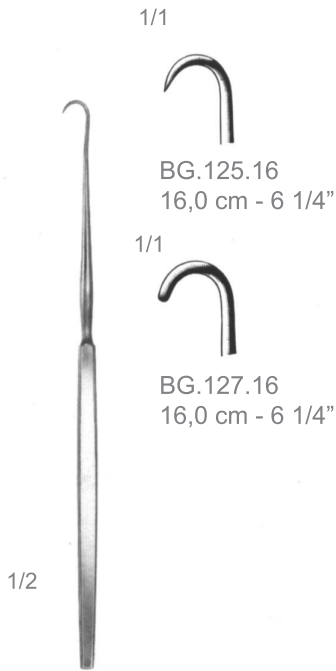
1/2  
 BG.119.07  
 7,0 cm - 2 3/4"

**BG.119.07**

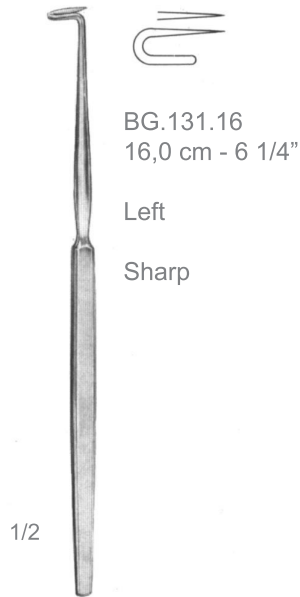
Bose  
 Trachea Trocars,  
 Dilators, Punches

BG.108.13 - BG.110.13	Tracheal Trocars for Intercricothyrotomy, with stainless steel point, cannula of silver 835
BG.111.19	Tracheotomy Spreader
BG.112.01 - BG.112.02	Tracheotomy Punches
BG.113.14 - BG.115.14	Trachea Dilators

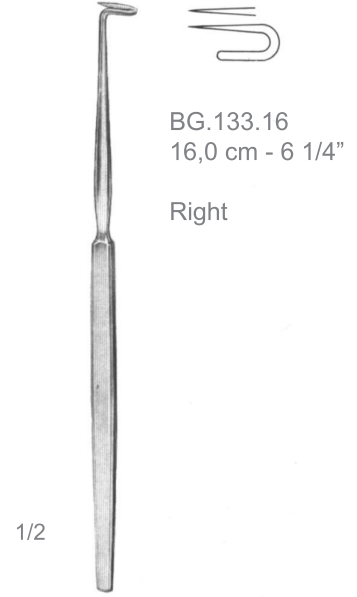
**BG**



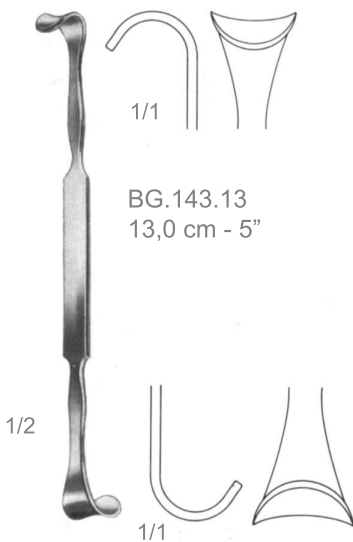
**BG.125.16**  
**BG.127.16**  
Iterson  
Trachea Retractors



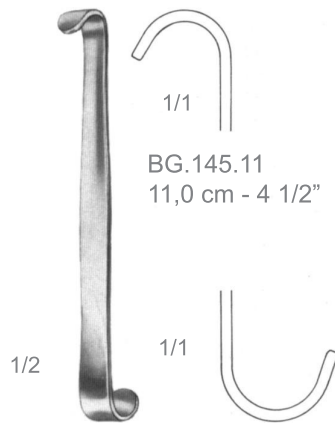
**BG.131.16**  
Bosc  
Trachea Retractors



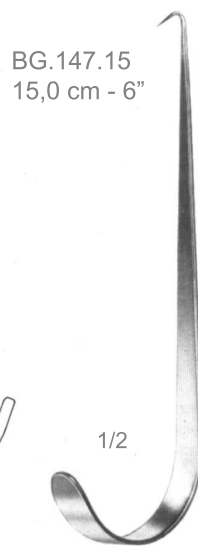
**BG.133.16**  
Bosc  
Trachea Retractors



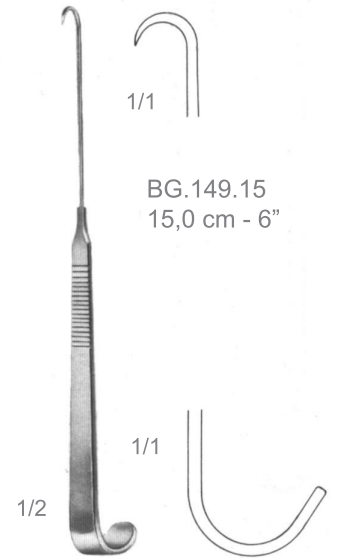
**BG.143.13**  
Rose  
Trachea Retractors



**BG.145.11**  
Luer  
Trachea Retractors



**BG.147.15**  
Jackson  
Trachea Retractors



**BG.149.15**  
Trachea Retractors

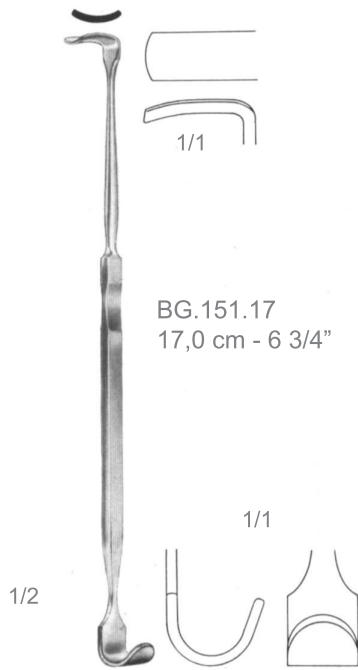
Trachea Retractors

TRACHEAL-HÄKCHEN - SEPARADORES PARA LA TRÁQUEA

# Kolpen

TRACHEOTOMY  
TRACHEOTOMIE  
TRAQUEOTOMÍA

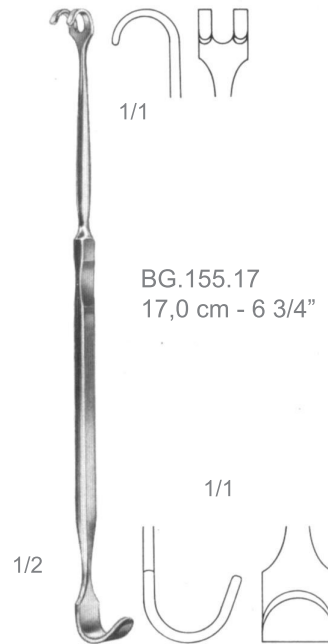
**BG**



**BG.151.17**  
17,0 cm - 6 3/4"

**BG.151.17**  
Lukens

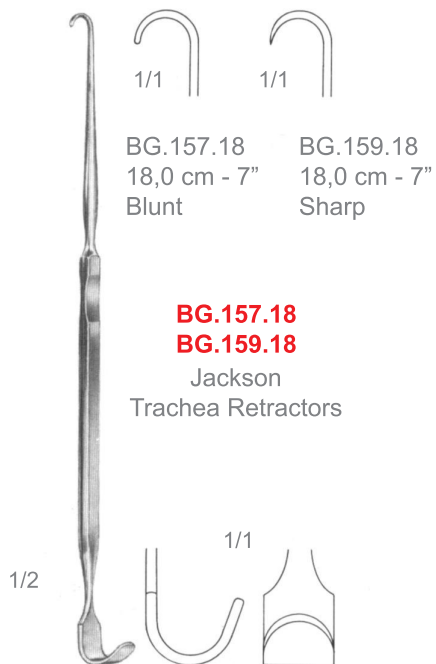
Trachea Retractors



**BG.155.17**  
17,0 cm - 6 3/4"

**BG.155.17**  
Jackson

Trachea Retractors



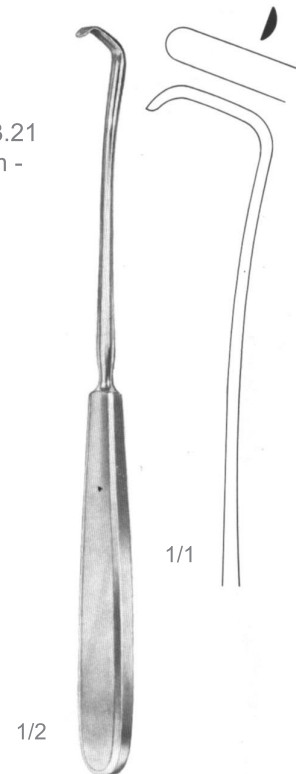
**BG.157.18**      **BG.159.18**  
18,0 cm - 7"      18,0 cm - 7"  
Blunt              Sharp

**BG.157.18**  
**BG.159.18**

Jackson  
Trachea Retractors

**BG.163.21**  
21,0 cm -  
8 1/4"

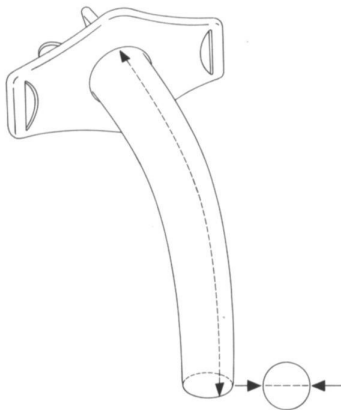
**BG.163.21**  
Schoenborn  
Trachea Retractors



1/2

BG.151.17      Thymus Retractor, double-ended  
BG.155.17 - BG.157.18      Trachea Retractors, double-ended  
BG.163.21      Thyroid Gland Retractor

Figur	0	1	2	3	4	5	6	7	8	9
Diameter	4	5	6	7	8	9	10	11	12	13 mm
Length of outer tube N	45	50	55	60	65	70	75	80	85	90 mm

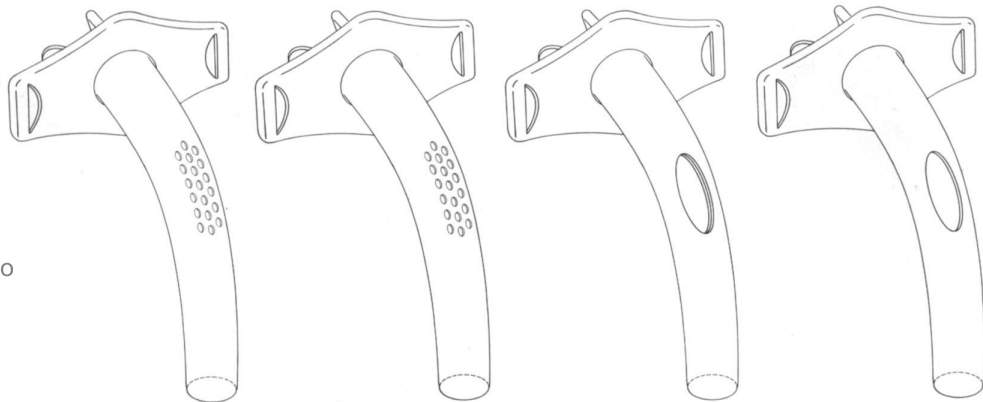


Instructions  
for determining the size

Length  
from shield along outer  
curvature to end of tube

Diameter (Ø)  
at the end of the outer tube  
in millimeters

Please state final  
number according to  
respective tube



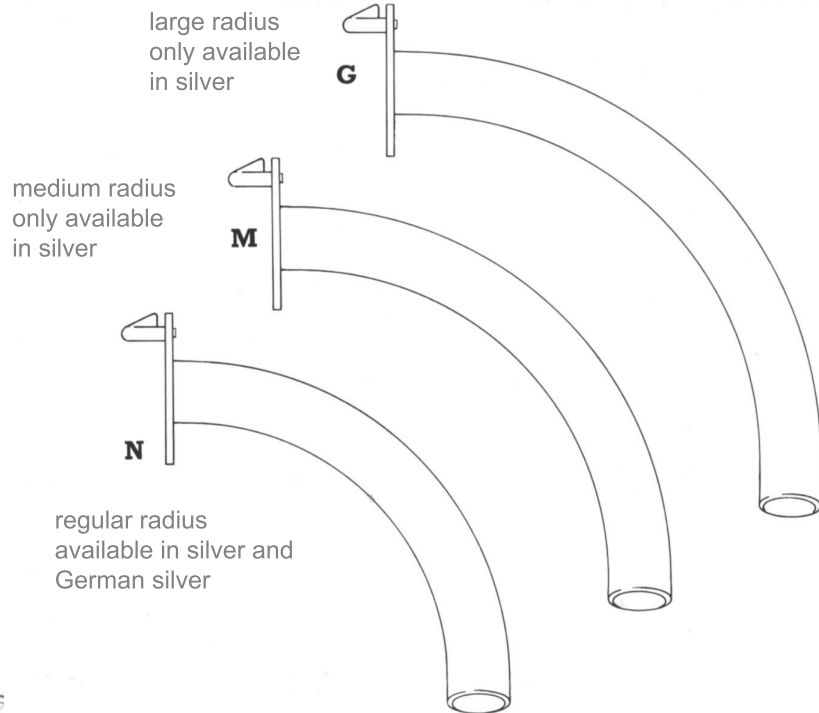
	Outer tube sieve Inner tube sieve	Outer tube sieve Inner tube sieve	Outer tube fenestra Inner tube fenestra	Outer tube fenestra
German silver	-64	-54	-44	-34
Silver	-68	-58	-48	-38

Example for ordering: BG.220.10, silver, with sieve-holes on inner and outer tube = Cat. Ref. BG.220.10.58

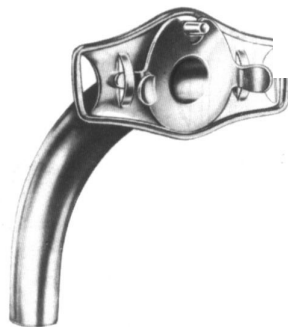
The measurements for trachea tubes

- BG.220.04/13 Regular radius N
- BG.222.08/13 Medium radius M
- BG.224.08/13 Large radius G
- BG.240.04/13 Regular radius N

correspond with the statements made for Speaking Tubes



standard pattern



**BG.220.04/13**  
**BG.222.08/13**  
**BG.224.08/13**

Luer  
Trachea Tubes

**BG.240.04/13**  
Chevalier-Jackson  
Trachea Tubes



Fig.	mm Ø	N 45-90 mm	M 95 mm	G 105 mm
0	4	BG.220.04		
1	5	BG.220.05		
2	6	BG.220.06		
3	7	BG.220.07		
4	8	BG.220.08	BG.222.08	BG.224.08
5	9	BG.220.09	BG.222.09	BG.224.09
6	10	BG.220.10	BG.222.10	BG.224.10
7	11	BG.220.11	BG.222.11	BG.224.11
8	12	BG.220.12	BG.222.12	BG.224.12
9	13	BG.220.13	BG.222.13	BG.224.13

Fig.	mm Ø	N 45-90 mm
0	4	BG.240.04
1	5	BG.240.05
2	6	BG.240.06
3	7	BG.240.07
4	8	BG.240.08
5	9	BG.240.09
6	10	BG.240.10
7	11	BG.240.11
8	12	BG.240.12
9	13	BG.240.13



Order Form for trachea tubes with special measurements

Please state the desired measurements differing from our standard list.  
Any special designed instruments can not be taken back

Quantity	Cat. Ref.	MA	LFA	LSA	LF	LS	L

LFA = Length up to beginning of fenestra  
LSA = Length up to beginning of sieve  
LF = Length of fenestra  
LS = Length of sieve  
L = Total length (cutter curvature)  
MA = material

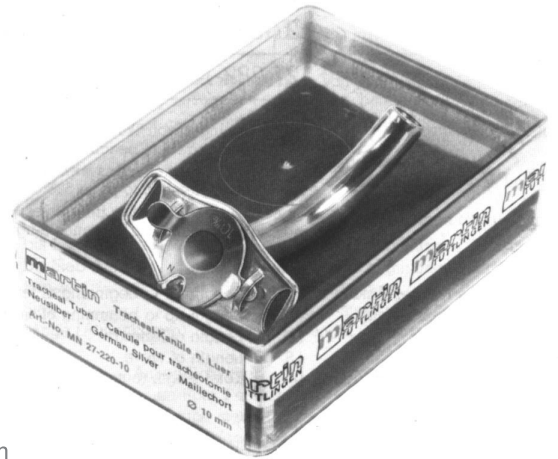


flexibles

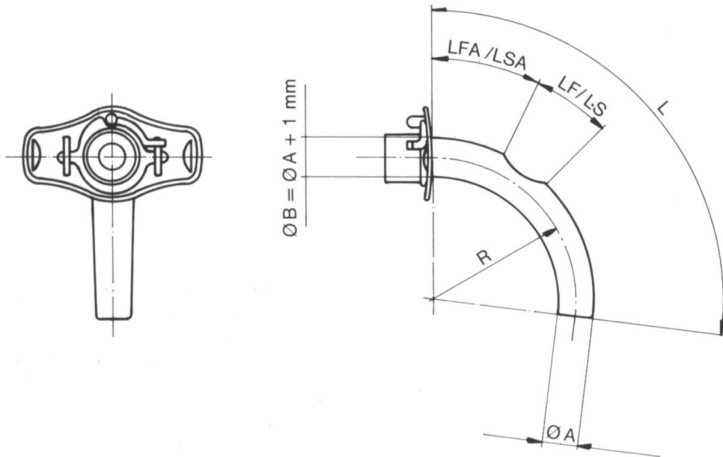
Only available in  
German silver

**BG.252.05/11**  
Koenig  
Trachea Tubes

Fig.	mm Ø	N 50-80 mm
1	5	BG.252.05
2	6	BG.252.06
3	7	BG.252.07
4	8	BG.252.08
5	9	BG.252.09
6	10	BG.252.10
7	11	BG.252.11



MARTIN Trachea Tubes in clearly marked  
transparent and pileable boxes simplify  
ordering, shipping and storing.



**BG.282.08/13**

Trachea Tubes

Valve Speaking Tube with detachable round valve, regular radius N, only available in German silver

For tubes with sieve or fenestra please state the supplementary number mentioned on the list below

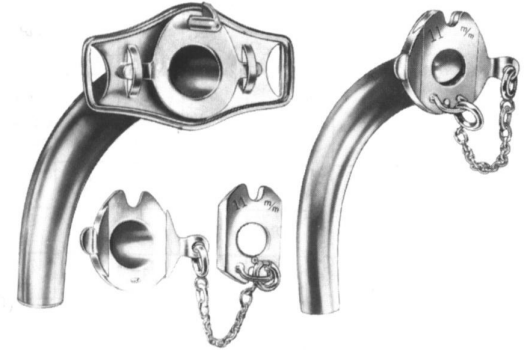
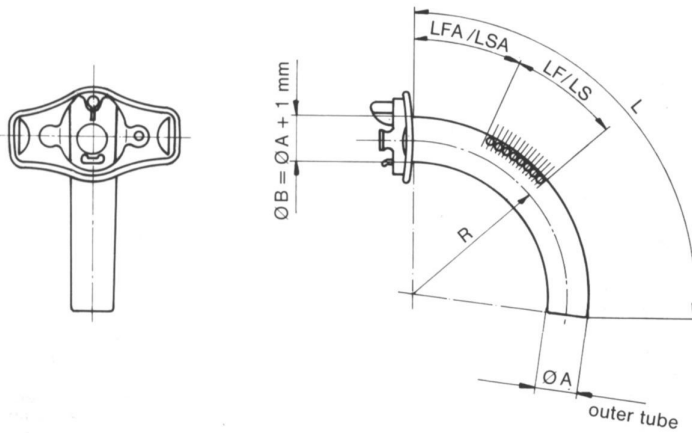
Cat. Ref.	Ø A	L	R	with fenestra		with sieve		
				LFA	LF	LSA	LS	hole Ø quantity
BG.282.08	8	65	36,5	19	12	15	18	Ø 1,7 -16
BG.282.09	9	70	39	20	13	18	18	Ø 1,8 -16
BG.282.10	10	75	40,5	21	13,5	20	20	Ø 1,8 -16
BG.282.11	11	80	41,5	22	14	21	21	Ø 2,0 -19
BG.282.12	12	85	43	23	15	22	22	Ø 2,0 -19
BG.282.13	13	90	47,5	24	16	22	22	Ø 2,0 -19

For orders of trachea tubes with other measurements than stated on the lists, we call your attention to the previous page

- LFA = Length up to beginning of fenestra
- LSA = Length up to beginning of sieve
- LF = Length of fenestra
- LS = Length of sieve
- L = Total length (cutter curvature)

	Outer tube sieve Inner tube sieve	Outer tube sieve Inner tube fenestra	Outer tube fenestra Inner tube fenestra	Outer tube fenestra
German silver	-64	-54	-44	-34

Example for ordering: BG.282.08, German silver, with sieve-holes on inner and outer tube = Cat. Ref. BG.282.08.64



**BG.284.08/13**

Trachea Tubes

Valve Speaking Tube with detachable round valve, regular radius N, available in silver and German silver

For tubes with sieve or fenestra please state the supplementary number mentioned on the list below

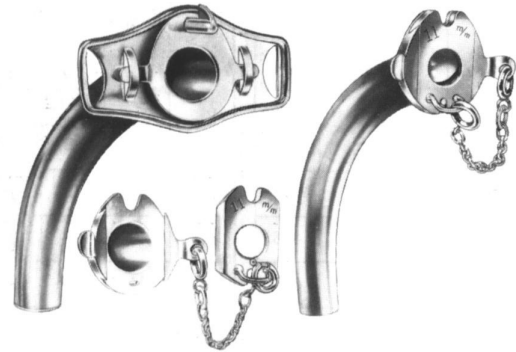
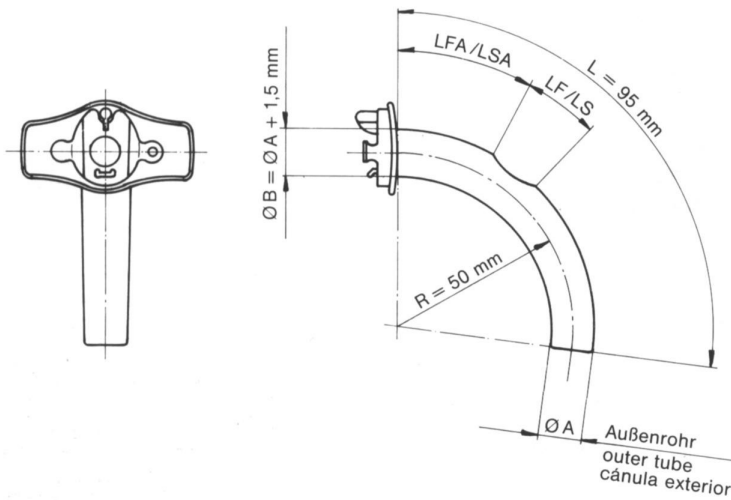
Cat. Ref.	Ø A	L	R	with fenestra		with sieve		
				LFA	LF	LSA	LS	hole Ø quantity
				BG.284.08	8	65	36,5	19
BG.284.09	9	70	39	20	13	18	18	Ø 1,8 -16
BG.284.10	10	75	40,5	21	13,5	20	20	Ø 1,8 -16
BG.284.11	11	80	41,5	22	14	21	21	Ø 2,0 -19
BG.284.12	12	85	43	23	15	22	22	Ø 2,0 -19
BG.284.13	13	90	47,5	24	16	22	22	Ø 2,0 -19

For orders of trachea tubes with other measurements than stated on the lists, we call your attention to the previous page

LFA = Length up to beginning of fenestra  
LSA = Length up to beginning of sieve  
LF = Length of fenestra  
LS = Length of sieve  
L = Total length (cutter curvature)

	Outer tube sieve Inner tube sieve	Outer tube sieve Inner tube fenestra	Outer tube fenestra Inner tube fenestra	Outer tube fenestra
German silver	-64	-54	-44	-34
Silver	-68	-58	-48	-38

Example for ordering: BG.284.08, with sieve-holes on inner and outer tube = Cat. Ref. BG.284.08.68



**BG.286.08/13**

Trachea Tubes

Valve Speaking Tube, inner tube with sliding valve, medium radius M, available only in silver

For tubes with sieve or fenestra please state the supplementary number mentioned on the list below

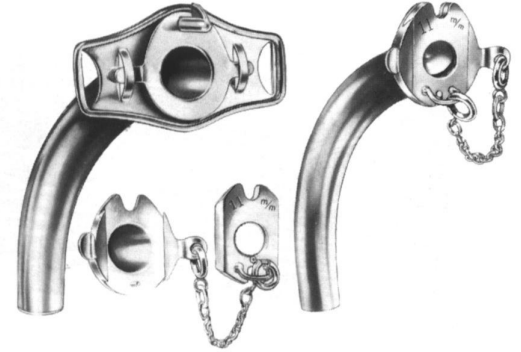
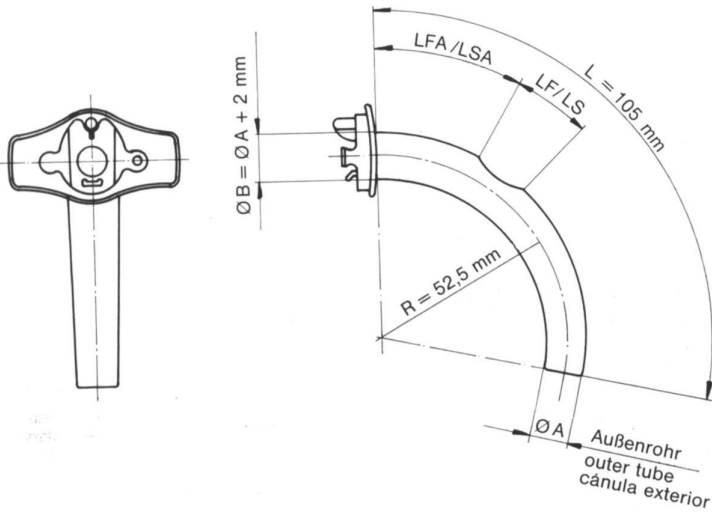
Cat. Ref.	Ø A	with fenestra		with sieve		
		LFA	LF	LSA	LS	hole Ø quantity
BG.286.08	8	28	12	28	18	Ø 1,7 -16
BG.286.09	9	28	13	28	18	Ø 1,8 -16
BG.286.10	10	28	13,5	28	20	Ø 1,8 -16
BG.286.11	11	28	14	28	21	Ø 2,0 -19
BG.286.12	12	28	15	28	22	Ø 2,0 -19
BG.286.13	13	28	18	28	22	Ø 2,0 -19

- LFA = Length up to beginning of fenestra
- LSA = Length up to beginning of sieve
- LF = Length of fenestra
- LS = Length of sieve
- L = Total length (cutter curvature)

For orders of trachea tubes with other measurements than stated on the lists, we call your attention to the previous page

	Outer tube sieve Inner tube sieve	Outer tube sieve Inner tube fenestra	Outer tube fenestra Inner tube fenestra	Outer tube fenestra
silver	-68	-58	-48	-38

Example for ordering: BG.286.08, with sieve-holes on inner and outer tube = Cat. Ref. BG.286.08.68



**BG.288.08/13**

Trachea Tubes

Valve Speaking Tube, inner tube with sliding valve, large radius G, only available in silver

For tubes with sieve or fenestra please state the supplementary number mentioned on the list below

Cat. Ref.	Ø A	with fenestra		with sieve		
		LFA	LF	LSA	LS	hole Ø quantity
BG.288.08	8	31	12	31	18	Ø 1,7 -16
BG.288.09	9	31	13	31	18	Ø 1,8 -16
BG.288.10	10	31	13,5	31	20	Ø 1,8 -16
BG.288.11	11	31	14	31	21	Ø 2,0 -19
BG.288.12	12	31	15	31	22	Ø 2,0 -19
BG.288.13	13	31	18	31	22	Ø 2,0 -19

LFA = Length up to beginning of fenestra  
LSA = Length up to beginning of sieve  
LF = Length of fenestra  
LS = Length of sieve  
L = Total length (cutter curvature)

For orders of trachea tubes with other measurements than stated on the lists, we call your attention to the previous page

	Outer tube sieve Inner tube sieve	Outer tube sieve Inner tube fenestra	Outer tube fenestra Inner tube fenestra	Outer tube fenestra
silver	-68	-58	-48	-38

Example for ordering: BG.286.08, with sieve-holes on inner and outer tube = Cat. Ref. BG.286.08.68

## Intubation Tubes, Tracheotomy Set

INTUBATIONSROHRE, TRACHEOTOMIE-BESTECK  
TUBOS DE INTUBACIÓN, ESTUCHE PARA TRAQUEOTOMÍA

# Kolpen

TRACHEOTOMY  
TRACHEOTOMIE  
TRAQUEOTOMÍA

**BG**

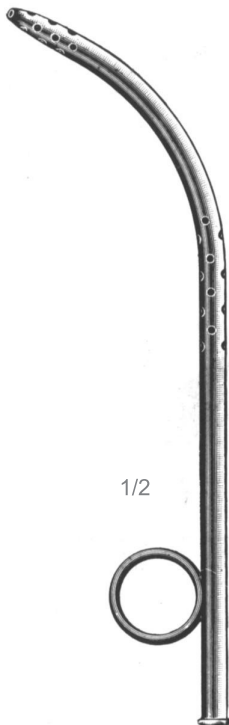


BG.342.26  
26,0 cm -  
10 1/4"  
12 mm Ø

1/2

### BG.342.26

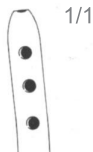
Intubation Tubes,  
Tracheotomy Set



1/2

### BG.345.05/09

Intubation Tubes,  
Tracheotomy Set

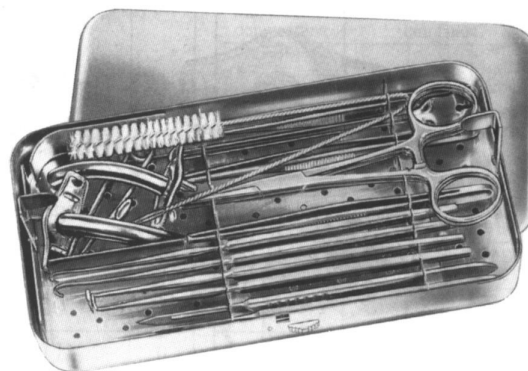


1/1

BG.345.05  
20,0 cm - 8"  
5 mm Ø

BG.345.07  
20,0 cm - 8"  
7 mm Ø

BG.345.09  
20,0 cm - 8"  
9 mm Ø



1/3

### BG.320.00/03

Intubation Tubes,  
Tracheotomy Set

BG.320.00  
200 x 105 x 30 mm

BG.320.03  
Plastic Pouch for case

BG.320.00  
Tracheotomy Set  
in metal case, consisting of:

AX.100.04	1 Handle with 1 blade, fig. 20
AX.100.04	1 Handle with 1 blade, fig. 23
AB.100.13	1 Thumb Forceps, 13 cm
AB.301.13	1 Tissue Forceps, 13 cm, 1 x 2 teeth
AC.374.13	2 Pean Artery Forceps, 13 cm
AF.160.13	1 Grooved Director, 13 cm
BG.119.07	1 Trachea Dilator
BG.127.16	2 Iterson Trachea Retractors, blunt
BG.131.16	1 Bose Trachea Retractor, sharp, left hand side
BG.133.16	1 ditto, right hand side
BG.220.07	1 Luer Trachea Tube, Standard
BG.220.08	1 ditto
BG.342.26	1 Cleaning Brush



1/3

### BG.322.00

Tracheotomy Set

BG.322.00  
200 x 100 x 40 mm

### BG.322.00

#### Tracheotomy Set

Complete in metal case 200 x 100 x 40 mm, with 2 perforated trays of 18/8 martinit containing the following stainless steel instruments

AX.100.04	1 Scalpel Handle No. 4
AX.150.23	1 Scalpel Blade No. 23, attached to Handle No. 4
AX.150.18/22	3 Scalpel Blades, assorted, in perforated small case
AX.152.00	1 Small case for above Scalpel Blades
AB.100.13	1 Dressing Forceps, serrated, 13 cm
AB.301.13	2 Tissue Forceps, 1 x 2 teeth, 13 cm
AC.340.14	4 Crile Artery Forceps, straight, 14 cm
AF.160.13	1 Grooved Director, 13 cm
BG.115.14	1 Trousseau Trachea Dilator, 14 cm
BG.127.16	2 Iterson Trachea Hooks, blunt
BG.131.16	1 Bose Hook, sharp, left hand side, 16 cm
BG.133.16	1 ditto, right hand side, 16 cm
BG.220.06	1 Luer Trachea Tube, size 2,6 mm diam., German Silver
BG.220.08	1 ditto, size 4,8 mm diam., German Silver
BG.342.27	1 Cleaning Brush, 12 mm diam., 27 cm
BG.320.03	1 Plastic Pouch for this set



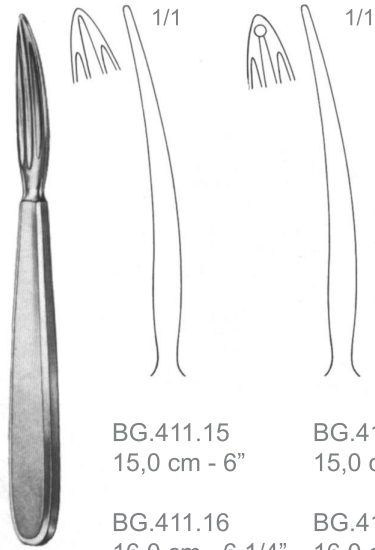
Scissors, Directors-Enucleators, Goitre Seizing Forceps,  
Muscular Clamp

SCHERE, SONDEN, KROPPFABZANGEN, MUSKELKLEMME  
TIJERAS, SONDAS ACANALADAS, PINZAS PARA COGER EL BOCIO,  
PINZA-CLAMP PARA MÚSCULOS

**Kolpen**

GOITRE  
KROPPF  
BOCIO

**BG**



BG.411.15  
15,0 cm - 6"

BG.413.15  
15,0 cm - 6"

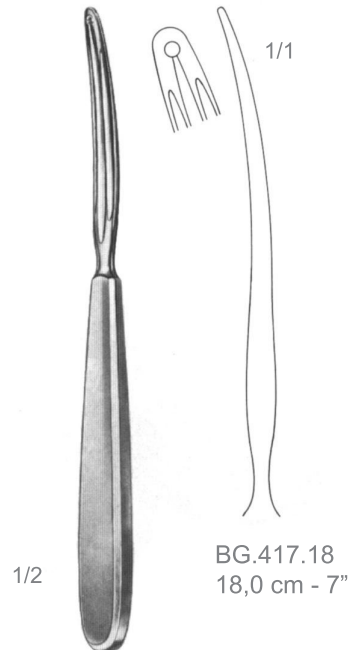
BG.411.16  
16,0 cm - 6 1/4"

BG.413.16  
16,0 cm - 6 1/4"

**BG.411.15/16**

**BG.413.15/16**

Kocher  
Scissors,  
Directors-Enucleators,  
Goitre Seizing Forceps,  
Muscular Clamp



1/2

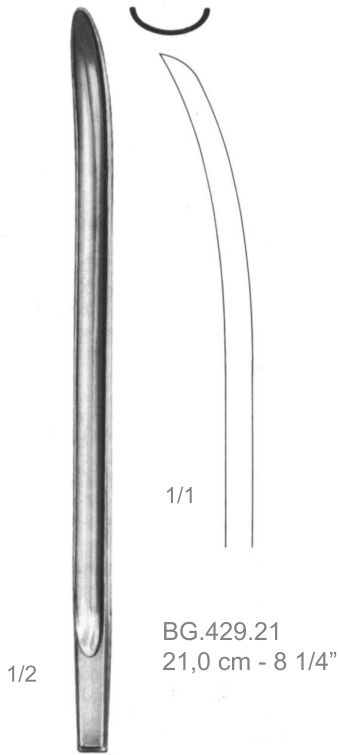
BG.417.18  
18,0 cm - 7"

**BG.417.18**

Kocher  
Scissors,  
Directors-Enucleators,  
Goitre Seizing Forceps,  
Muscular Clamp



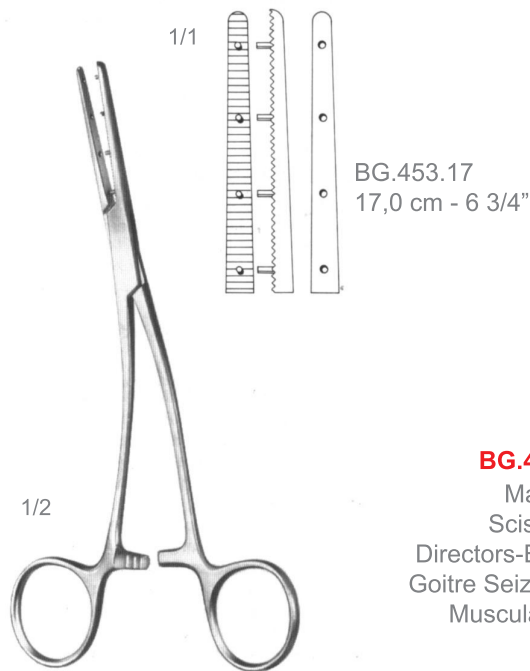
BG



**BG.429.21**  
Hofmeister  
Scissors,  
Directors-Enucleators,  
Goitre Seizing Forceps,  
Muscular Clamp



**BG.449.15/20**  
Lahey  
Scissors,  
Directors-Enucleators,  
Goitre Seizing Forceps,  
Muscular Clamp



**BG.453.17**  
Martin  
Scissors,  
Directors-Enucleators,  
Goitre Seizing Forceps,  
Muscular Clamp