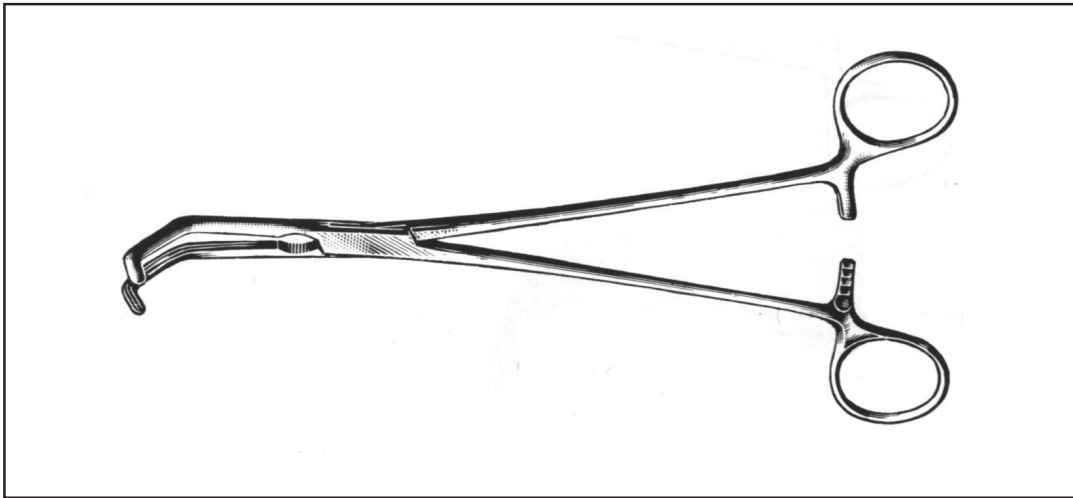


Kolpen



BD

Kolpen

Bone and Rib Shears

CARDIOVASCULAR SURGERY
CARDIOVASCULAR-CHIRURGIE
CIRUGÍA CARDIOVASCULAR

KNOCHEN- UND RIPPENSCHEREN - CIZALLAS PARA HUESOS

BD



BD.100.23
23,0 cm - 9"

1/2

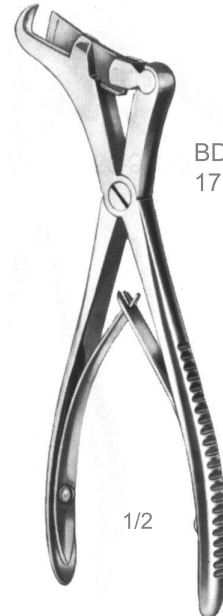
BD.100.23
Bone and Rib
Shears



BD.101.22
22,0 cm - 8 3/4"

1/2

BD.101.22
Bone and Rib
Shears



BD.104.17
17,0 cm - 6 3/4"

1/2

BD.104.17
Bone and Rib
Shears



BD.107.22
22,0 cm - 8 3/4"
with eccentric
sliding blade

1/2

BD.107.22
Gluck
Bone and Rib
Shears



BD.111.21
21,0 cm - 8 1/4"

1/2

BD.111.21
Bone and Rib
Shears

Rib Shears, Sternum Scissors, Sternum Chisel

RIPPENSCHEREN, STERNUMSCHEREN, STERNUMMEIBEL -
 COSTÓTOMOS, TIJERA DE ESTERNÓN, CINCEL DE ESTERNÓN

Kolpen

CARDIOVASCULAR SURGERY
 CARDIOVASCULAR-CHIRURGIE
 CIRUGÍA CARDIOVASCULAR

BD



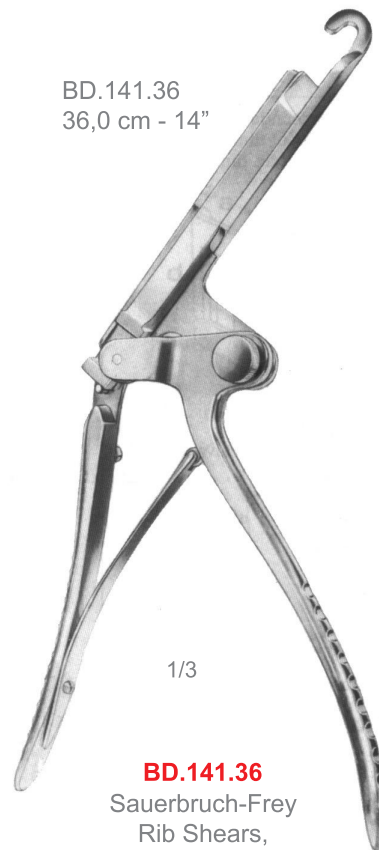
BD.131.26
 26,0 cm - 10 1/4"

BD.131.26
 Sauerbruch
 Rib Shears,
 Sternum Scissors,
 Sternum Chisel



BD.137.27
 27,0 cm - 10 1/2"

BD.137.27
 Giertz-Stille
 Rib Shears,
 Sternum Scissors,
 Sternum Chisel



BD.141.36
 36,0 cm - 14"

BD.141.36
 Sauerbruch-Frey
 Rib Shears,
 Sternum Scissors,
 Sternum Chisel



BD.145.25
 25,0 cm - 10"

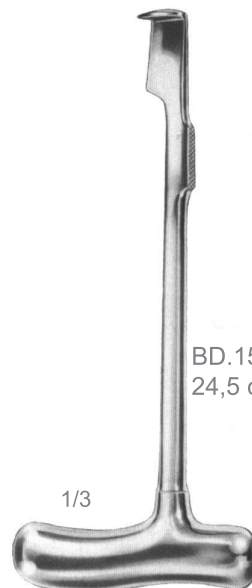
BD.145.25
 Lebsche
 Rib Shears,
 Sternum Scissors,
 Sternum Chisel



BD.147.28
 32,0 cm - 12 1/2"
 for the right hand

BD.149.28
 32,0 cm - 12 1/2"
 for the left hand

BD.147.28
BD.149.28
 Brunner
 Rib Shears,
 Sternum Scissors,
 Sternum Chisel



BD.151.24
 24,5 cm - 9 3/4"

BD.151.24
 Lebsche
 Rib Shears,
 Sternum Scissors,
 Sternum Chisel

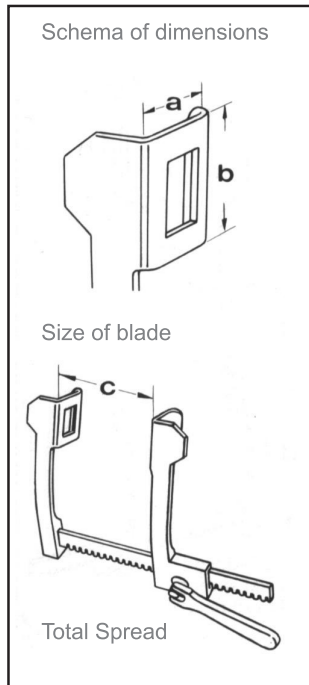
Kolpen

CARDIOVASCULAR SURGERY
 CARDIOVASCULAR-CHIRURGIE
 CIRUGÍA CARDIOVASCULAR

Rib Spreaders from Aluminium

RIPPENSPERRER AUS LEICHTMETALL -
 SEPARADORES COSTALES DE ALUMINIO

BD



BD.160.01
 Cooley
 Rib Spreaders
 from Aluminium

	a	b	c
BD.160.01	12 mm	17 mm	75 mm

for newborns



BD.160.02/03
 Cooley
 Rib Spreaders
 from Aluminium

	a	b	c
BD.160.02	16 mm	30 mm	105 mm
BD.160.03	21 mm	44 mm	150 mm

pediatric size



BD.160.04
 Cooley
 Rib Spreaders
 from Aluminium

	a	b	c
BD.160.04	37 mm	49 mm	200 mm

for adults

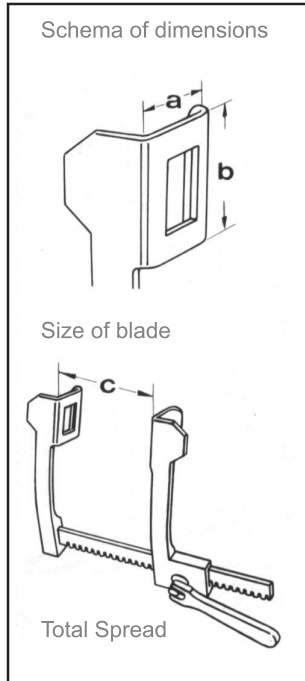
Rib Spreaders from Aluminium

RIPPENSPERRER AUS LEICHTMETALL -
SEPARADORES COSTALES DE ALUMINIO

Kolpen

CARDIOVASCULAR SURGERY
CARDIOVASCULAR-CHIRURGIE
CIRUGÍA CARDIOVASCULAR

BD



BD.161.01

Finocchietto-Infant
Rib Spreaders
from Aluminium

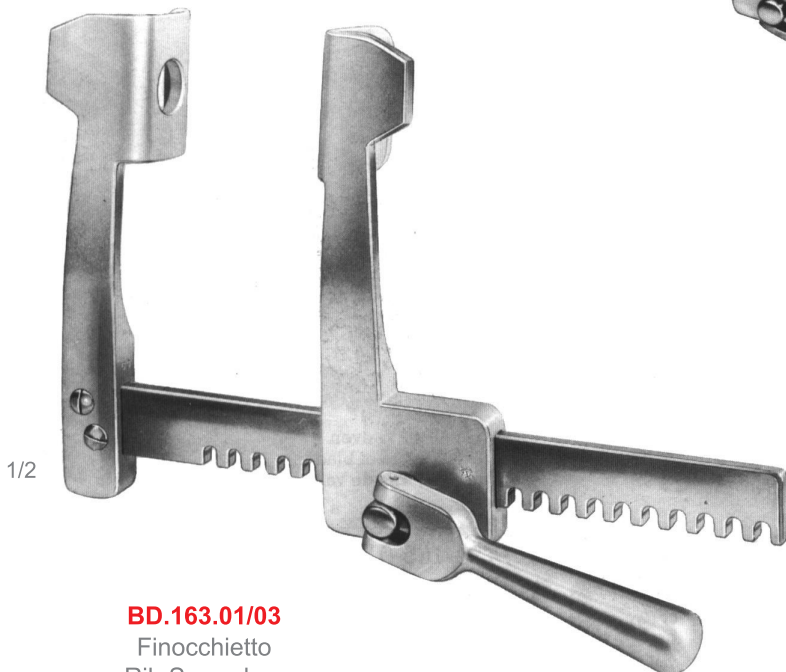
	a	b	c
BD.161.01 for babies	15 mm	15 mm	75 mm



BD.162.01

Finocchietto-Baby-Haight
Rib Spreaders
from Aluminium

	a	b	c
BD.162.01 child size	31 mm	31 mm	100 mm



BD.163.01/03

Finocchietto
Rib Spreaders
from Aluminium

	a	b	c
BD.163.01	38 mm	44 mm	135 mm
BD.163.02	52 mm	62 mm	175 mm
BD.163.03 child size	85 mm	65 mm	175 mm

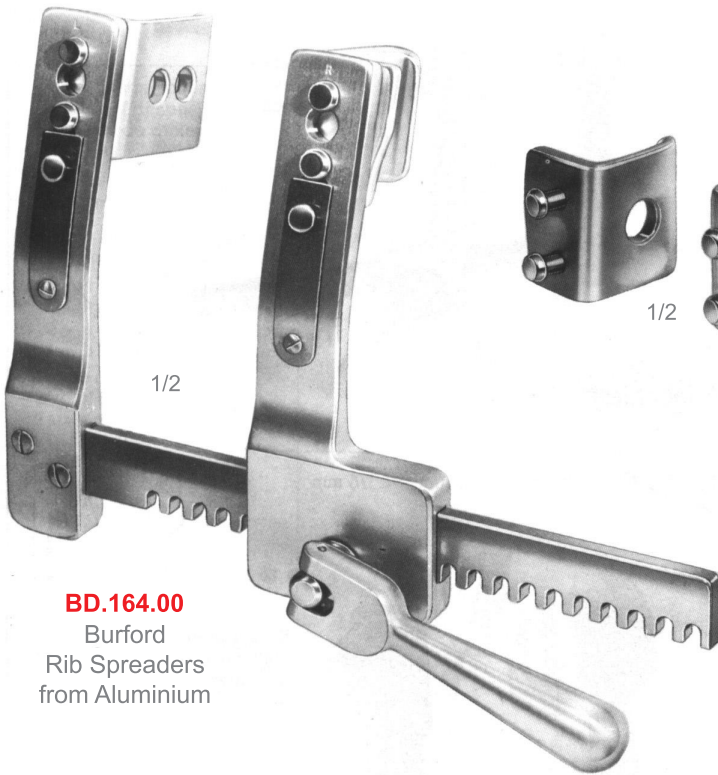
Kolpen

Rib Spreaders from Aluminium

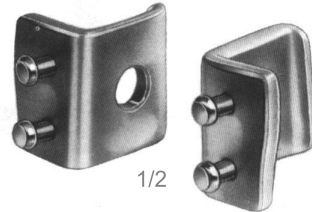
CARDIOVASCULAR SURGERY
CARDIOVASCULAR-CHIRURGIE
CIRUGÍA CARDIOVASCULAR

RIPPENSPERRER AUS LEICHTMETALL -
SEPARADORES COSTALES DE ALUMINIO

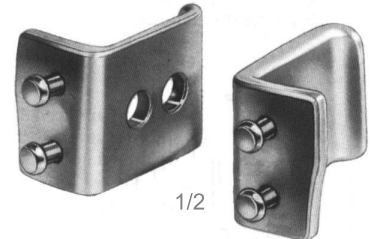
BD



BD.164.00
Burford
Rib Spreaders
from Aluminium



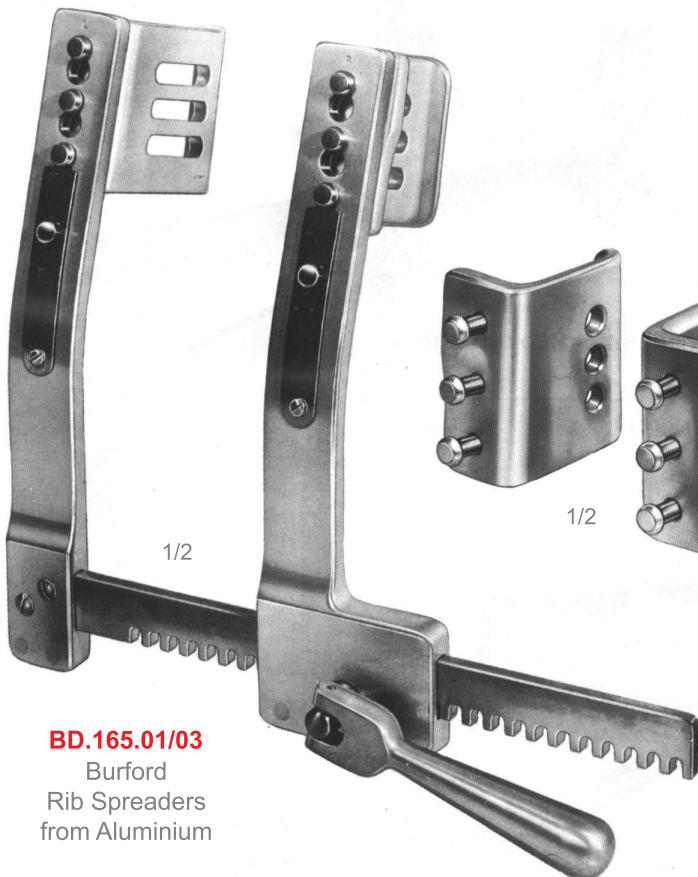
1/2



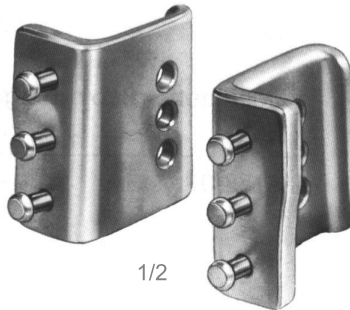
1/2

	a	b	c
BD.164.00	48 mm	42 mm	135 mm
	34 mm	42 mm	135 mm

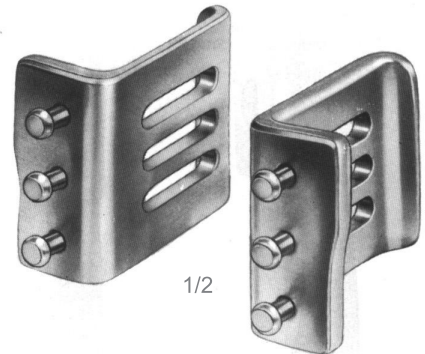
with 2 pairs of blades
for children



BD.165.01/03
Burford
Rib Spreaders
from Aluminium



1/2



1/2

	a	b	c
BD.165.01	65 mm	62 mm	180 mm
	47 mm	62 mm	
BD.165.02	65 mm	62 mm	260 mm
	47 mm	62 mm	
BD.165.03	65 mm	62 mm	300 mm
	47 mm	62 mm	

with 2 pairs of blades
for adults

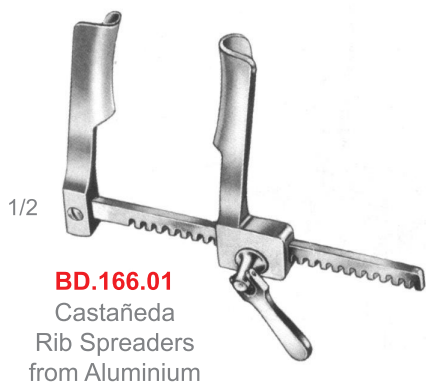
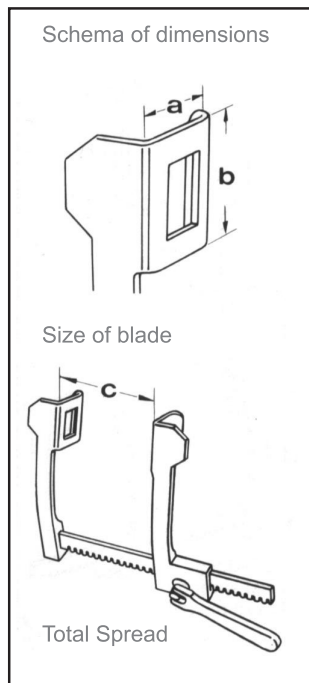
Rib Spreaders from Aluminium

RIPPENSPERRER AUS LEICHTMETALL -
SEPARADORES COSTALES DE ALUMINIO

Kolpen

CARDIOVASCULAR SURGERY
CARDIOVASCULAR-CHIRURGIE
CIRUGÍA CARDIOVASCULAR

BD



	a	b	c
BD.166.01	10.5 mm	32 mm	65 mm
new-born size			

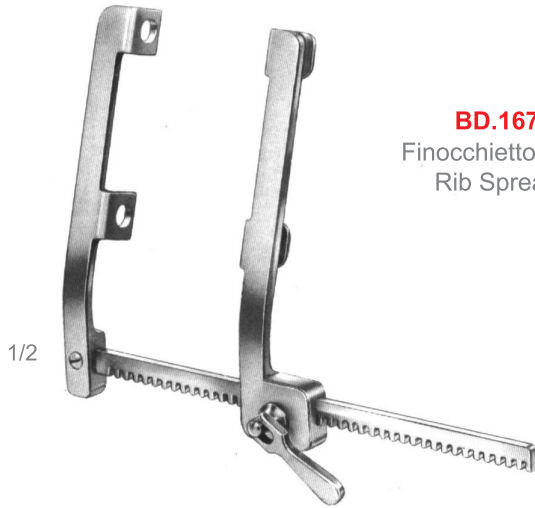


	a	b	c
BD.166.02	12 mm	45 mm	70 mm
infant size			



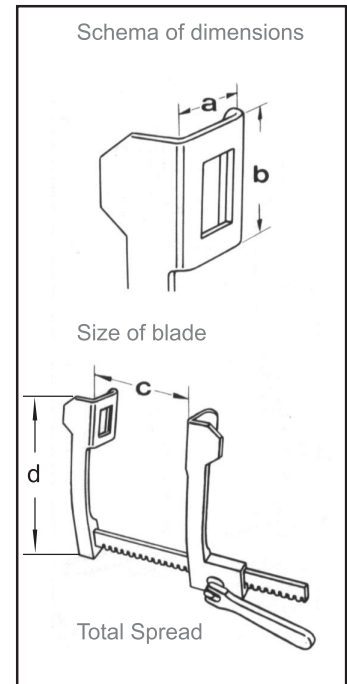
	a	b	c
BD.166.03	15 mm	60 mm	120 mm
child size			

BD



BD.167.01
Finocchietto (modif.)
Rib Spreaders

	a	b	c	d
BD.167.01	14 mm	14 mm	120 mm	110 mm
Aluminium				



	a	b	c
BD.168.90	30 mm	30 mm	90 mm

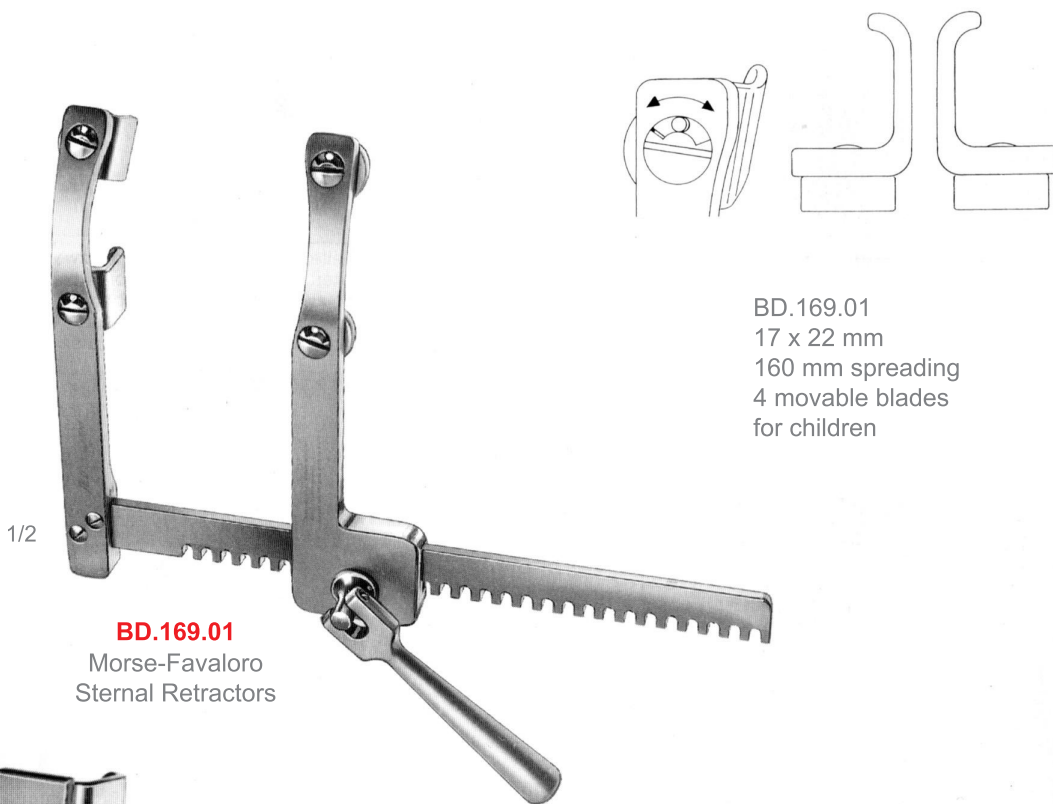


BD.168.90
Haight
Rib Spreaders

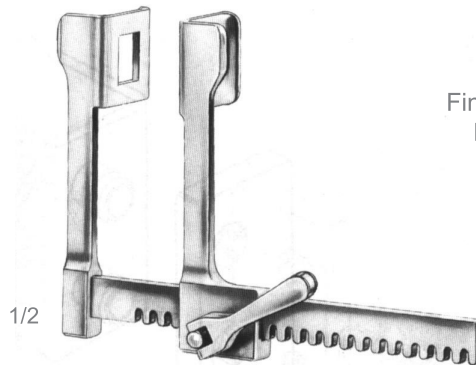
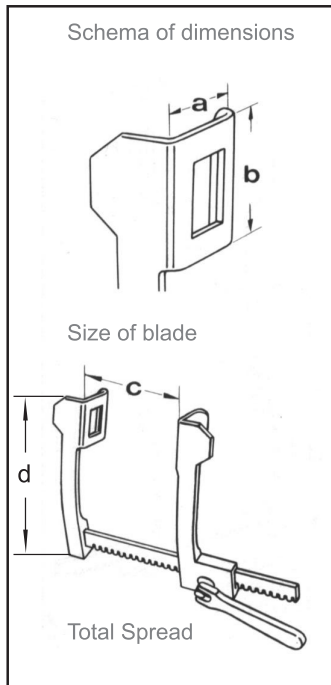


BD.174.02
Tuffier
Rib Spreaders

	a	b	c
BD.174.02	50 mm	45 mm	165 mm

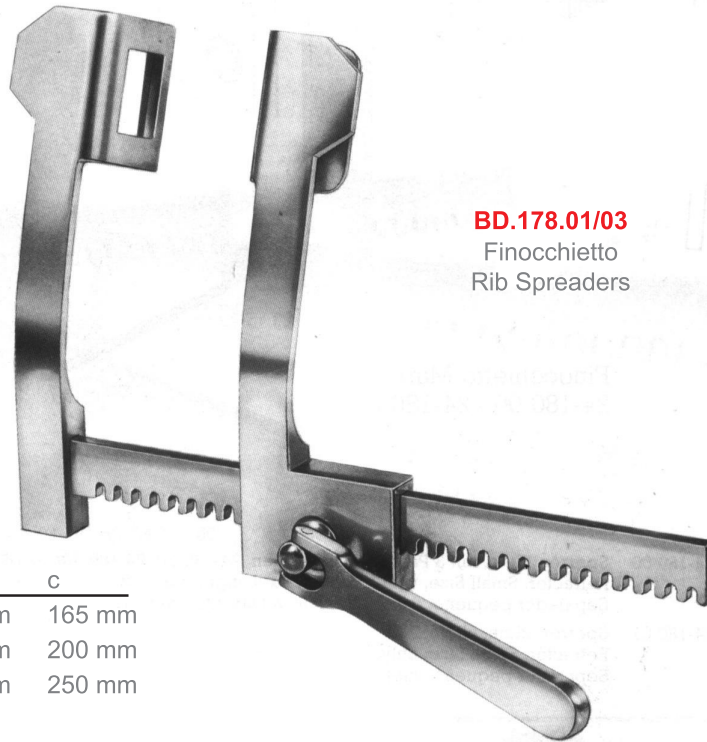


BD



BD.177.75
 Finocchetto - Baby
 Rib Spreaders

	a	b	c
BD.177.05	18 mm	20 mm	75 mm



BD.178.01/03
 Finocchetto
 Rib Spreaders

	a	b	c
BD.178.01	40 mm	40 mm	165 mm
BD.178.02	45 mm	65 mm	200 mm
BD.178.03	70 mm	65 mm	250 mm

- Rib and Pneumolysis Spreaders
 with ratchet, self-retaining

- BD.178.01 - small pattern
- BD.178.02 - medium pattern
- BD.178.03 - large pattern

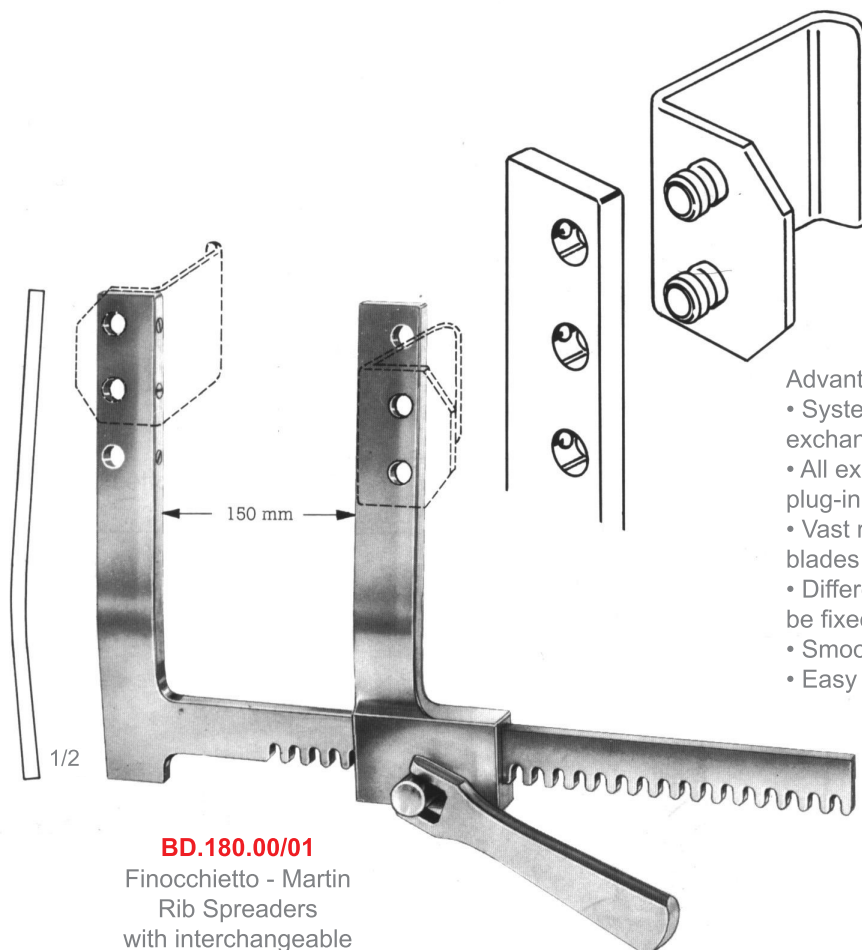
Rib Spreaders with interchangeable Blades

RIPPENSPERRER MIT WECHSELVALVEN - SEPARADOR DE COSTILLAS CON VALVAS INTERCAMBIABLES

Kolpen

CARDIOVASCULAR SURGERY
 CARDIOVASCULAR-CHIRURGIE
 CIRUGÍA CARDIOVASCULAR

BD



Advantages:

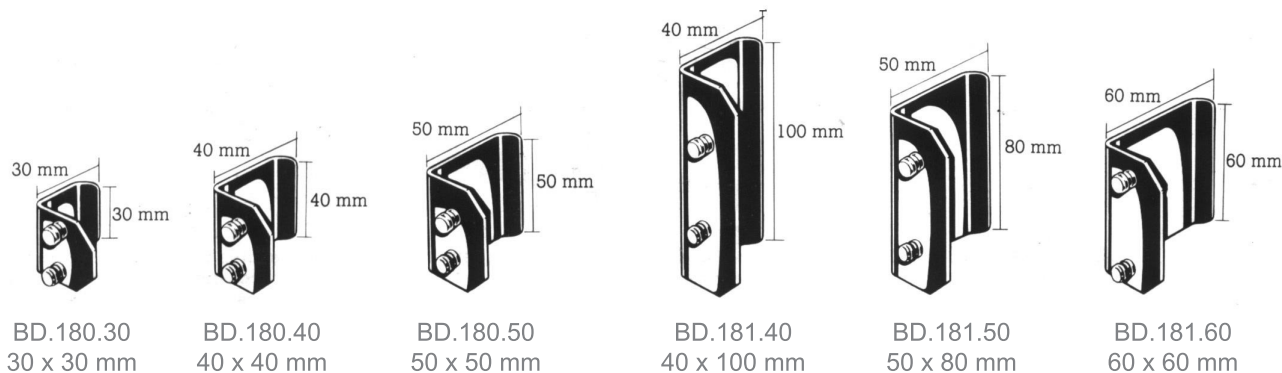
- System affording quick and problem free exchange of blades
- All exchangeable blades with instant locking plug-in system
- Vast range of fix and adapting exchangeable blades
- Different types of exchangeable blades can be fixed to either side
- Smooth surfaces, sutures stay free
- Easy cleaning

BD.180.00/01

Finocchietto - Martin
 Rib Spreaders
 with interchangeable
 Blades

BD.180.00 Retractor, Small Size, with 3 pairs of exchangeable Blades

BD.180.01 Retractor, Small Size, only



BD.180.30
 30 x 30 mm

BD.180.40
 40 x 40 mm

BD.180.50
 50 x 50 mm

BD.181.40
 40 x 100 mm

BD.181.50
 50 x 80 mm

BD.181.60
 60 x 60 mm

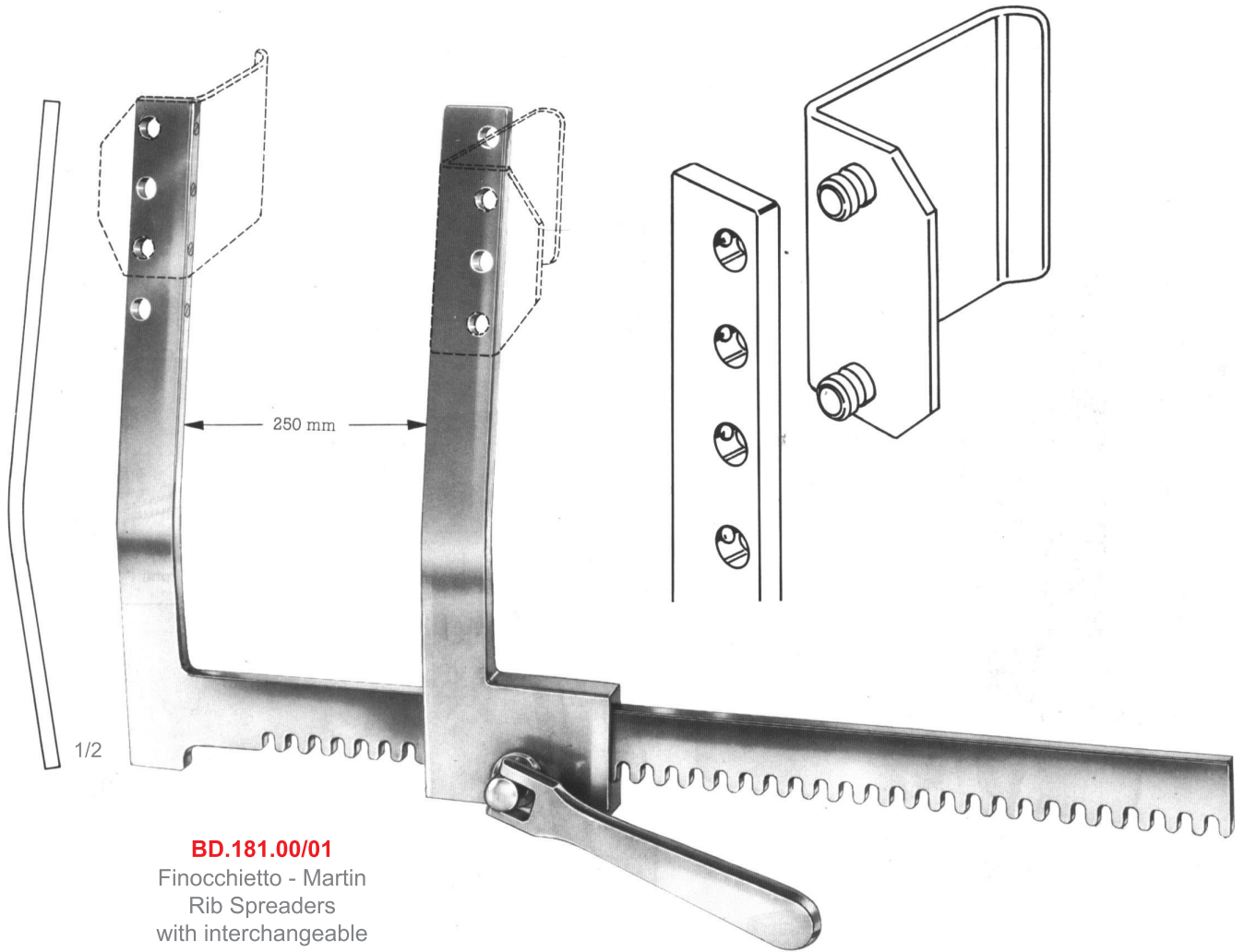
Kolpen

Rib Spreaders with interchangeable Blades

CARDIOVASCULAR SURGERY
 CARDIOVASCULAR-CHIRURGIE
 CIRUGÍA CARDIOVASCULAR

RIPPENSPERRER MIT WECHSELVALVEN - SEPARADOR DE COSTILLAS CON VALVAS INTERCAMBIABLES

BD

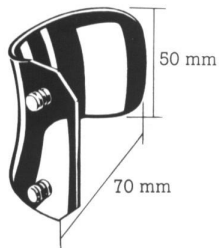


BD.181.00/01

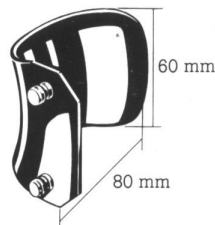
Finocchietto - Martin
 Rib Spreaders
 with interchangeable
 Blades

- BD.181.00 Retractor, Large Size, with 3 pairs of exchangeable Blades
- BD.181.01 Retractor, Large Size, only

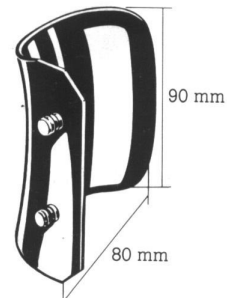
Complementary Exchangeable Blades



BD.181.70
 70 x 55 mm



BD.181.80
 80 x 60 mm



BD.181.81
 80 x 90 mm

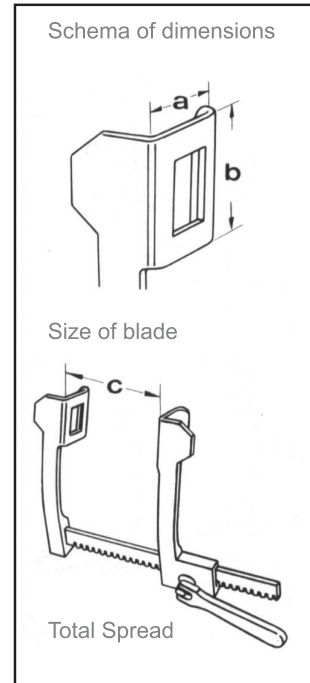
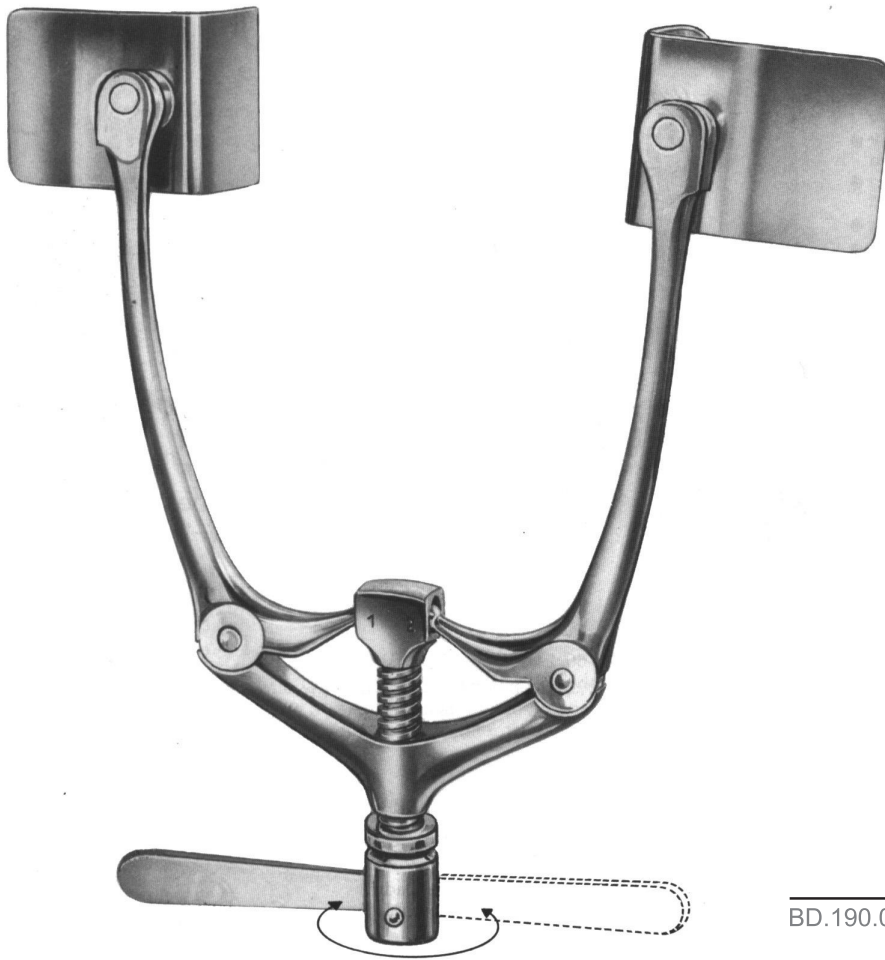
Rib Spreaders

RIPPENSPERRER - SEPARADORES COSTALES

Kolpen

CARDIOVASCULAR SURGERY
CARDIOVASCULAR-CHIRURGIE
CIRUGÍA CARDIOVASCULAR

BD



	a	b	c
BD.190.00	35 mm	50 mm	180 mm

BD.190.00
Quervain
Rib Spreaders

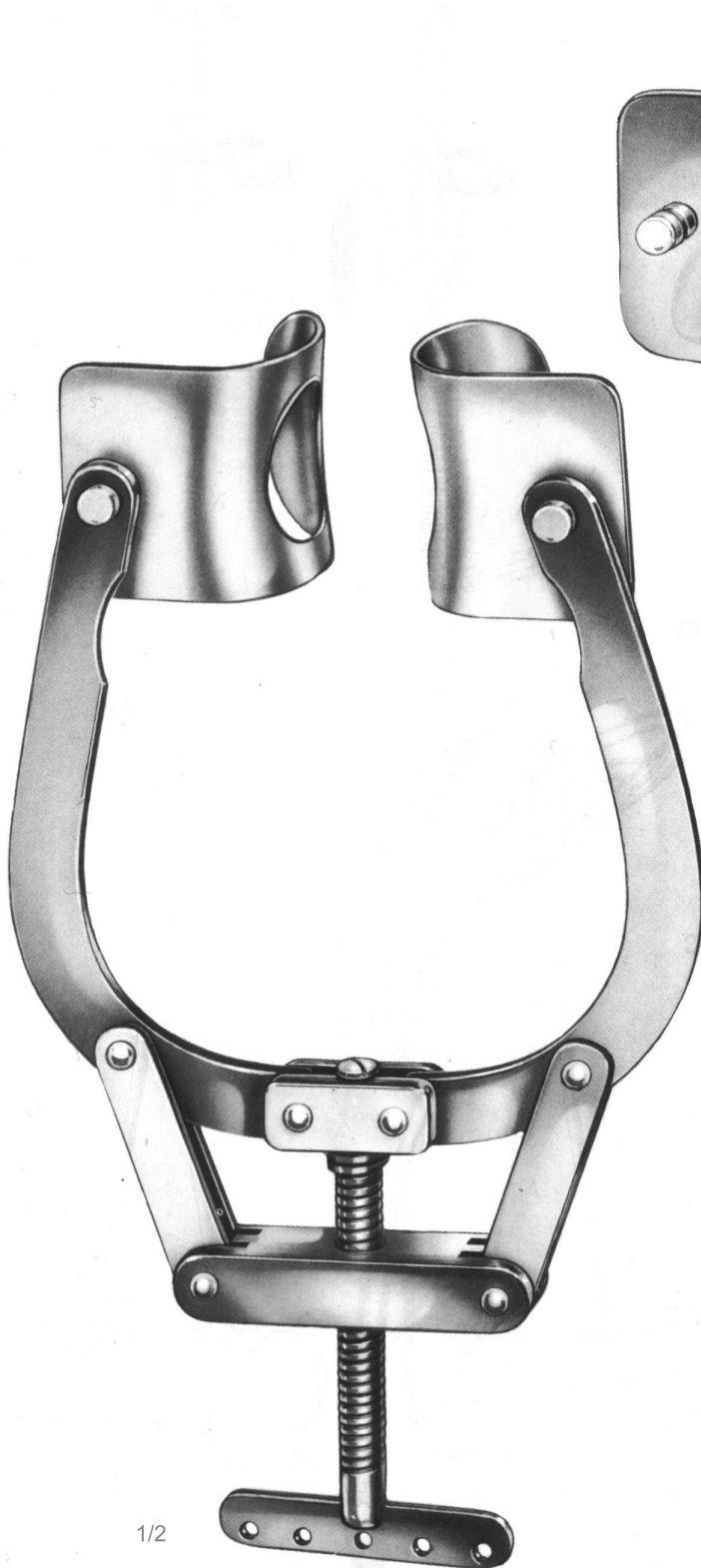
Kolpen

Rib Spreaders

CARDIOVASCULAR SURGERY
CARDIOVASCULAR-CHIRURGIE
CIRUGÍA CARDIOVASCULAR

RIPPENSPERRER - SEPARADORES COSTALES

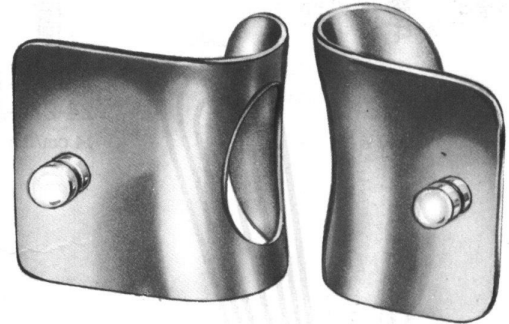
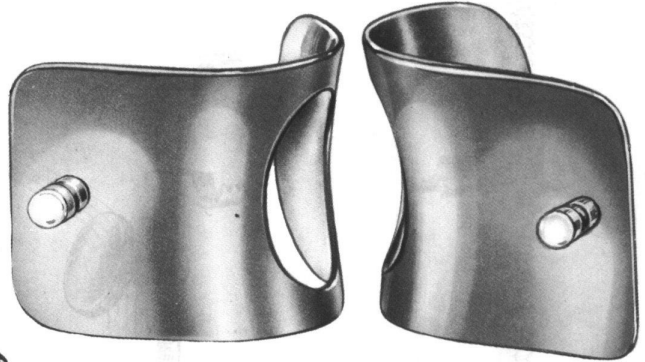
BD



1/2

BD.191.00
Rib Spreaders

75 x 75 mm



BD.191.00

Thoracic retractor (Mercedes-Retractor)
complete consisting of:

Retractor only

1 Pair of blades 42 x 65 mm

1 Pair of blades 75 x 75 mm

Rib Contractors, Lung Spatula

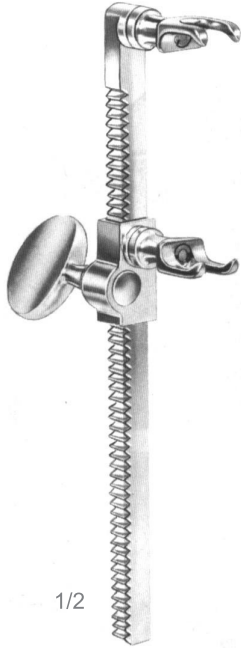
RIPPENKONTRAKTOREN, LUNGENSEPTEL - APROXIMADORES PARA COSTILLAS, ESPÁTULA PULMONAR

Kolpen

CARDIOVASCULAR SURGERY
 CARDIOVASCULAR-CHIRURGIE
 CIRUGÍA CARDIOVASCULAR

BD

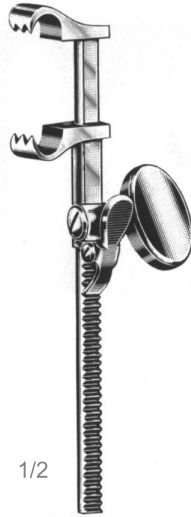
BD.218.19
 19,0 cm - 7 1/2"



1/2

BD.218.19
 Rib Contractors,
 Lung Spatula

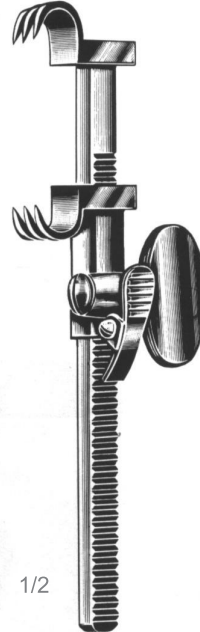
BD.220.14
 14,0 cm - 5 1/2"



1/2

BD.220.14
 Bailey - Baby
 Rib Contractors,
 Lung Spatula

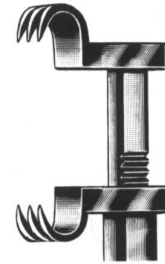
BD.224.16
 16,0 cm - 6 1/4"



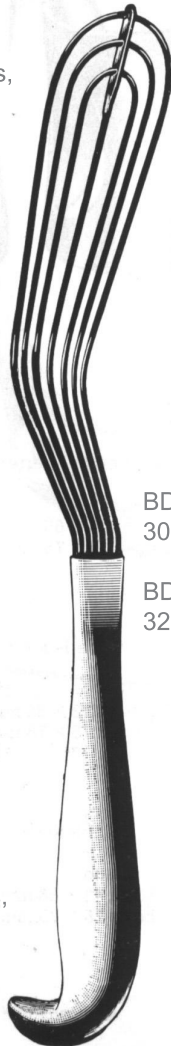
1/2

BD.224.16
 Bailey
 Rib Contractors,
 Lung Spatula

BD.226.16
 16,0 cm - 6 1/4"



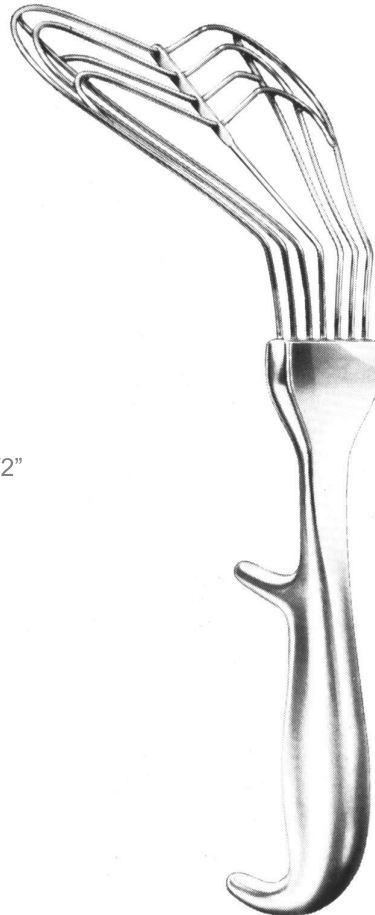
BD.226.16
 Bailey - Gibbon
 Rib Contractors,
 Lung Spatula



BD.231.30/32
 Allison
 Rib Contractors,
 Lung Spatula

BD.231.30
 30,0 cm - 12"

BD.231.32
 32,0 cm - 12 1/2"



BD.233.26
 26,0 cm - 10 1/4"

BD.233.26
 Rib Contractors,
 Lung Spatula

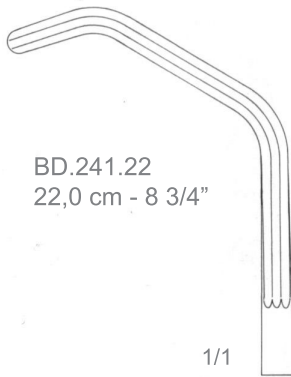
Kolpen

CARDIOVASCULAR SURGERY
 CARDIOVASCULAR-CHIRURGIE
 CIRUGÍA CARDIOVASCULAR

Bronchus Forceps, Ligature Forceps

BRONCHUSKLEMMEN, LIGATURKLEMMEN - PINZAS CLAMPS BRONQUIALES,
 PINZAS PARA LIGADURAS

BD



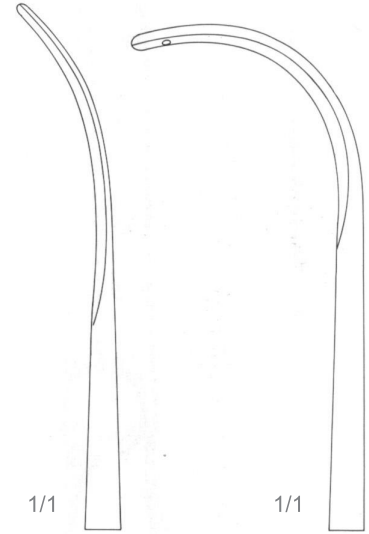
BD.241.22
 22,0 cm - 8 3/4"

1/1



BD.245.22
 22,0 cm - 8 3/4"

1/1



1/1

1/1

BD.265.24
 24,0 cm - 9 1/2"

BD.267.24
 24,0 cm - 9 1/2"



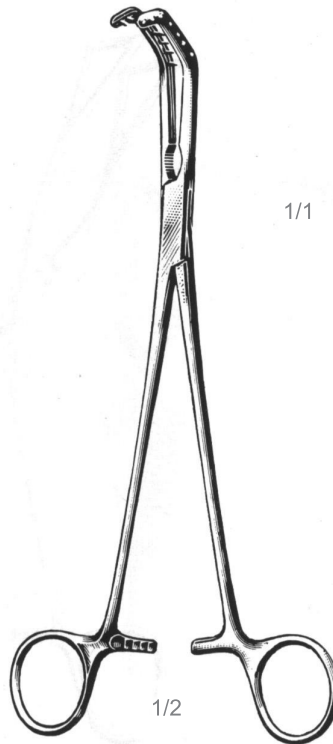
BD.247.22
 22,0 cm - 8 3/4"

1/1



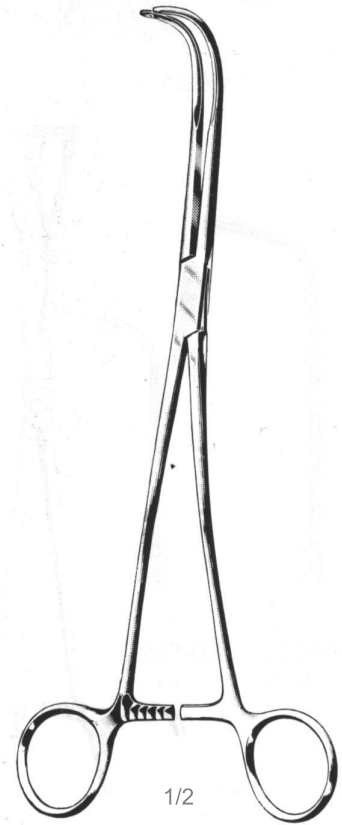
1/2

BD.241.22
 Price-Thomas
 Bronchus Forceps,
 Ligature Forceps



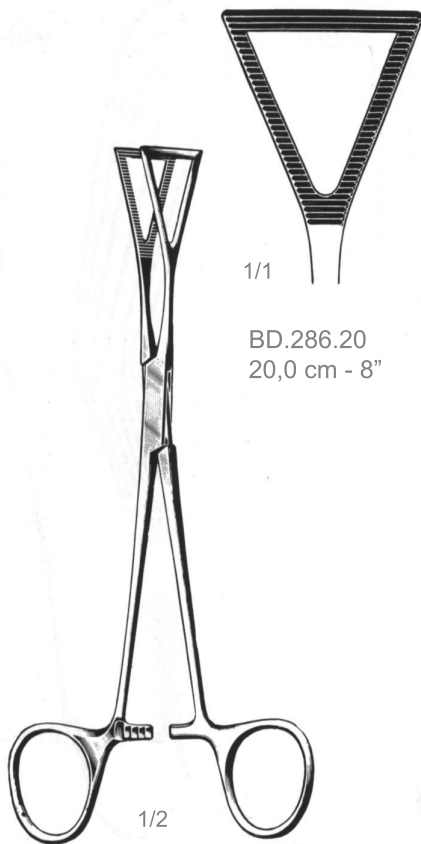
1/2

BD.245.22
BD.247.22
 Price-Thomas
 Bronchus Forceps,
 Ligature Forceps



1/2

BD.265.24
BD.267.24
 Semb
 Bronchus Forceps,
 Ligature Forceps

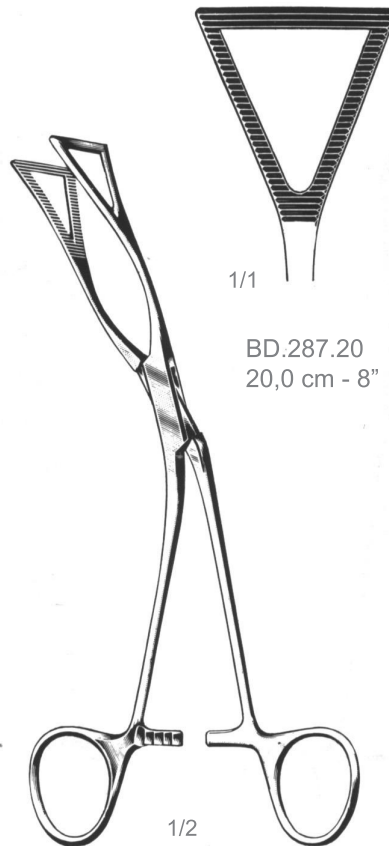


1/1

BD.286.20
20,0 cm - 8"

1/2

BD.286.20
Lovelace
Tissue and Organ
Holding Forceps



1/1

BD.287.20
20,0 cm - 8"

1/2

BD.287.20
Lovelace
Tissue and Organ
Holding Forceps

Kolpen

Atrauma Bulldog Clamps

CARDIOVASCULAR SURGERY
CARDIOVASCULAR-CHIRURGIE
CIRUGÍA CARDIOVASCULAR

ATRAUMA BULLDOGKLEMMEN - ATRAUMA CLAMPS BULLDOG

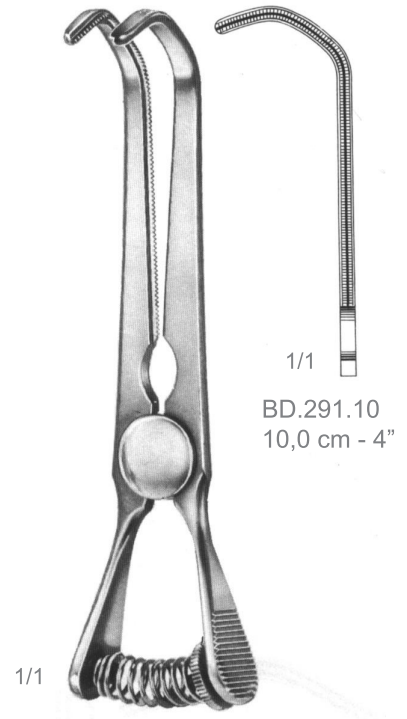
BD



BD.291.07
De Bakey - Satinsky
Atrauma Bulldog
Clamps



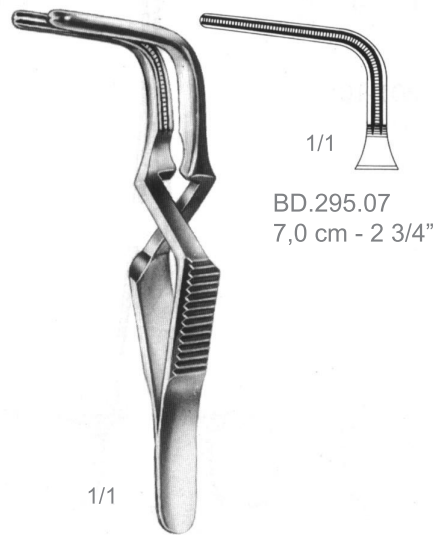
BD.291.09
De Bakey - Carotis
Atrauma Bulldog
Clamps



BD.291.10
De Bakey - Satinsky
Atrauma Bulldog
Clamps



BD.293.06
Glover
Atrauma Bulldog
Clamps



BD.295.07
Santulli
Atrauma Bulldog
Clamps

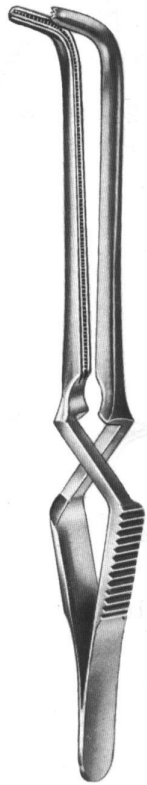
Atrauma Bulldog Clamps

ATRAUMA BULLDOGKLEMMEN - ATRAUMA CLAMPS BULLDOG

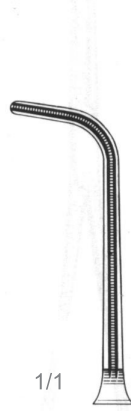
Kolpen

CARDIOVASCULAR SURGERY
CARDIOVASCULAR-CHIRURGIE
CIRUGÍA CARDIOVASCULAR

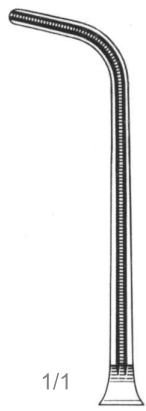
BD



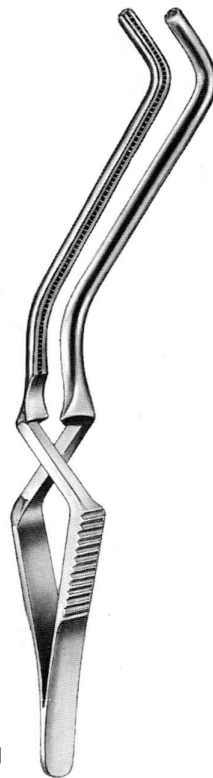
BD.297.09/11
Gregory - soft
Atrauma Bulldog
Clamps



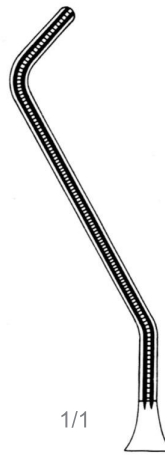
BD.297.09
9,0 cm - 3 1/2"
(Carotis)



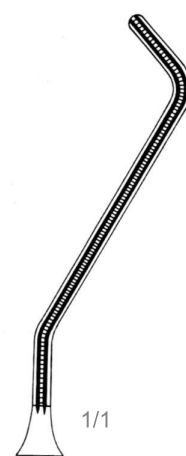
BD.297.11
11,0 cm - 4 1/2"
(Carotis)



BD.299.01/02
Gregory
Atrauma Bulldog
Clamps

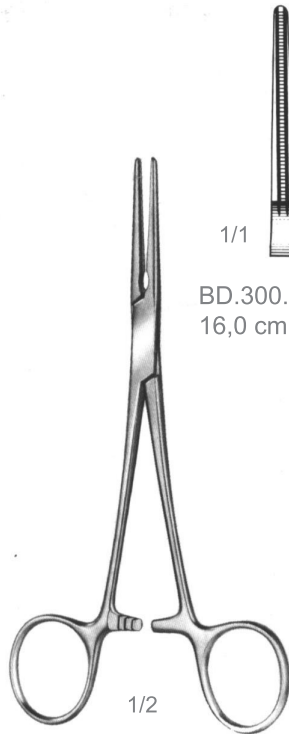


BD.299.01
10,5 cm - 4"
right

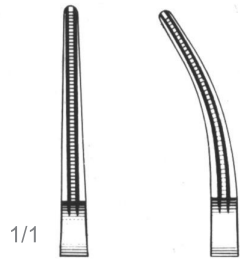


BD.299.02
10,5 cm - 4"
left

BD



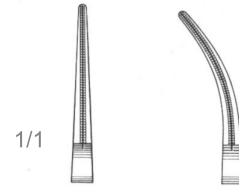
BD.300.16
BD.301.16
De Bakey - Rankin
Atrauma Hemostatic
Forceps



1/1
BD.300.16
16,0 cm - 6 1/4"
BD.301.16
16,0 cm - 6 1/4"



BD.302.15
BD.303.15
De Bakey - Mosquito
Atrauma Hemostatic
Forceps



1/1
BD.302.15
15,0 cm - 6"
BD.303.15
15,0 cm - 6"

Atrauma Cardiovascular Forceps

ATRAUMA CARDIOVASCULAR-KLEMMEN - ATRAUMA PINZAS-CLAMPS
CARDIOVASCULARES

Kolpen

CARDIOVASCULAR SURGERY
CARDIOVASCULAR-CHIRURGIE
CIRUGÍA CARDIOVASCULAR

BD



BD.317.23
23,5 cm - 9 1/4"
Aortic clamp

1/1



BD.317.23
Ochsner
Atrauma Cardiovascular
Forceps



BD.319.21
21,0 cm - 8 1/4"
Aortic clamp

1/1



BD.319.21
Dietrich
Atrauma Cardiovascular
Forceps

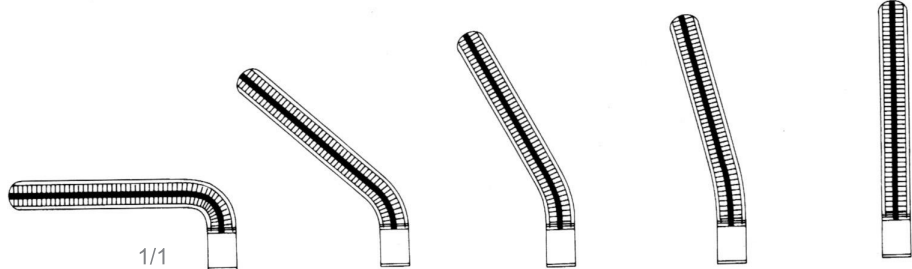
Kolpen

Atrauma Cardiovascular Forceps

CARDIOVASCULAR SURGERY
 CARDIOVASCULAR-CHIRURGIE
 CIRUGÍA CARDIOVASCULAR

ATRAUMA CARDIOVASCULAR-KLEMMEN - ATRAUMA PINZAS-CLAMPS
 CARDIOVASCULARES

BD



1/1

BD.336.90	BD.336.45	BD.336.30	BD.336.15	BD.336.00
15,0 cm - 5 1/2"	15,0 cm - 5 1/2"	15,0 cm - 5 1/2"	15,0 cm - 5 1/2"	15,0 cm - 5 1/2"
90°	45°	30°	15°	



1/2



1/1

BD.338.90	BD.338.45	BD.338.30	BD.338.15	BD.338.00
17,0 cm - 6 1/2"	17,0 cm - 6 1/2"	17,0 cm - 6 1/2"	17,0 cm - 6 1/2"	17,0 cm - 6 1/2"
90°	45°	30°	15°	

BD.336.00/90

BD.338.00/90

Dardik
 Atrauma Cardiovascular
 Forceps

Atrauma Cardiovascular Forceps

ATRAUMA CARDIOVASCULAR-KLEMMEN - ATRAUMA PINZAS-CLAMPS
CARDIOVASCULARES

Kolpen

CARDIOVASCULAR SURGERY
CARDIOVASCULAR-CHIRURGIE
CIRUGÍA CARDIOVASCULAR

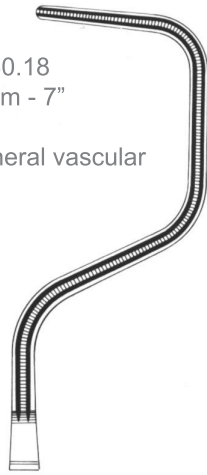
BD



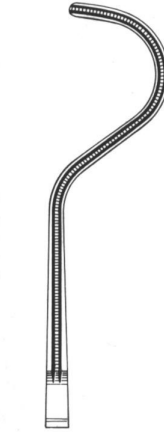
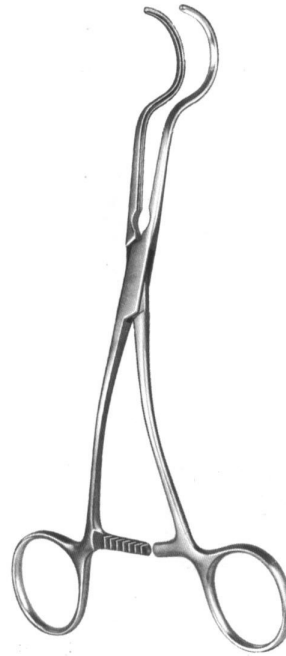
BD.340.18
18,5 cm - 7"

Peripheral vascular
clamp

1/1



BD.340.18
Dale
Atrauma Cardiovascular
Forceps



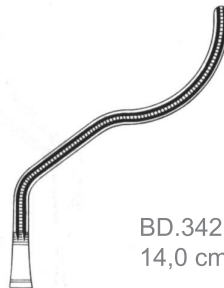
BD.341.17
17,0 cm - 6 1/2"

BD.341.18
17,5 cm - 7"

BD.341.19
18,5 cm - 7 1/4"

Peripheral vascular
clamps

BD.341.17/19
Dale
Atrauma Cardiovascular
Forceps



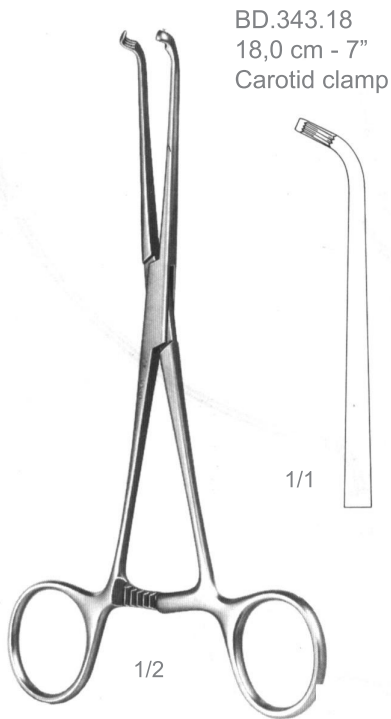
BD.342.14
14,0 cm - 5 1/2"

BD.342.16
16,0 cm - 6 1/4"

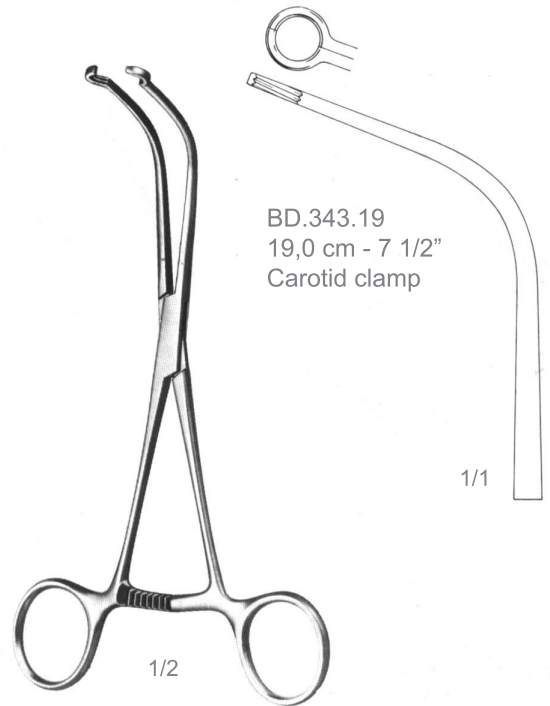
BD.342.18
18,0 cm - 7"

Profunda clamps

BD.342.14/18
Gregory
Atrauma Cardiovascular
Forceps



BD.343.18
Javid
Atrauma Cardiovascular
Forceps



BD.343.19
Javid
Atrauma Cardiovascular
Forceps

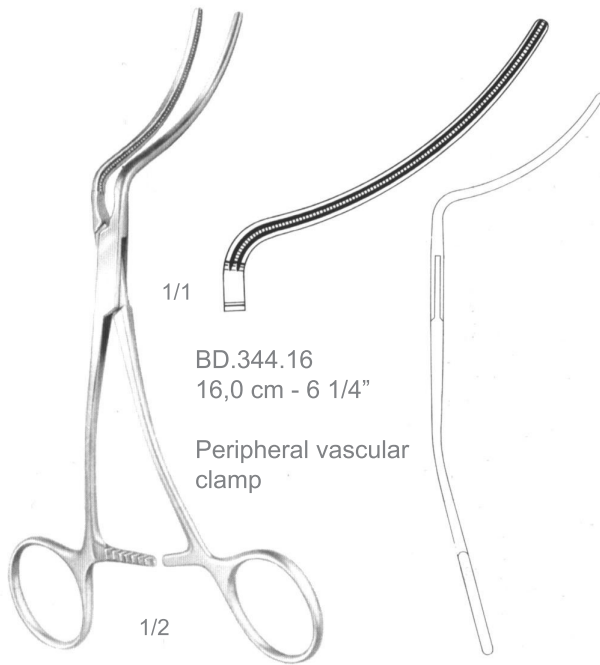
Atrauma Cardiovascular Forceps

ATRAUMA CARDIOVASCULAR-KLEMMEN · ATRAUMA PINZAS-CLAMPS
CARDIOVASCULARES

Kolpen

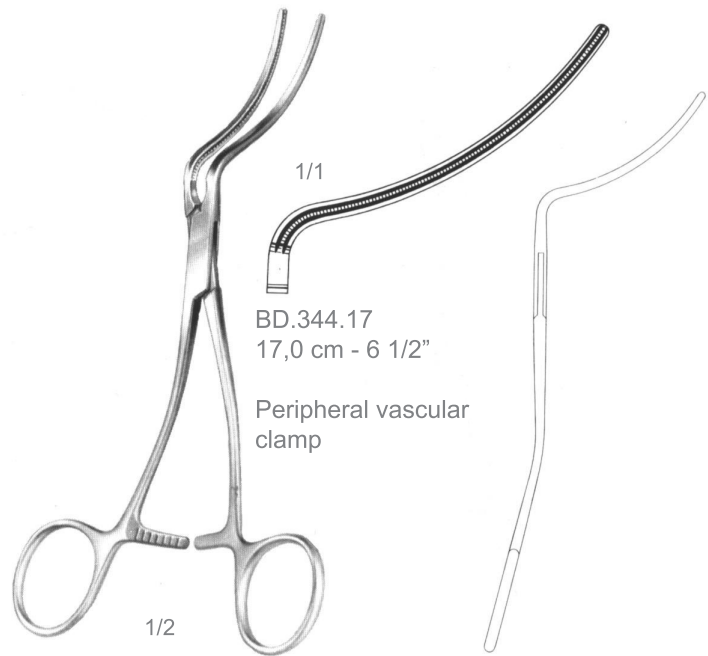
CARDIOVASCULAR SURGERY
CARDIOVASCULAR-CHIRURGIE
CIRUGÍA CARDIOVASCULAR

BD



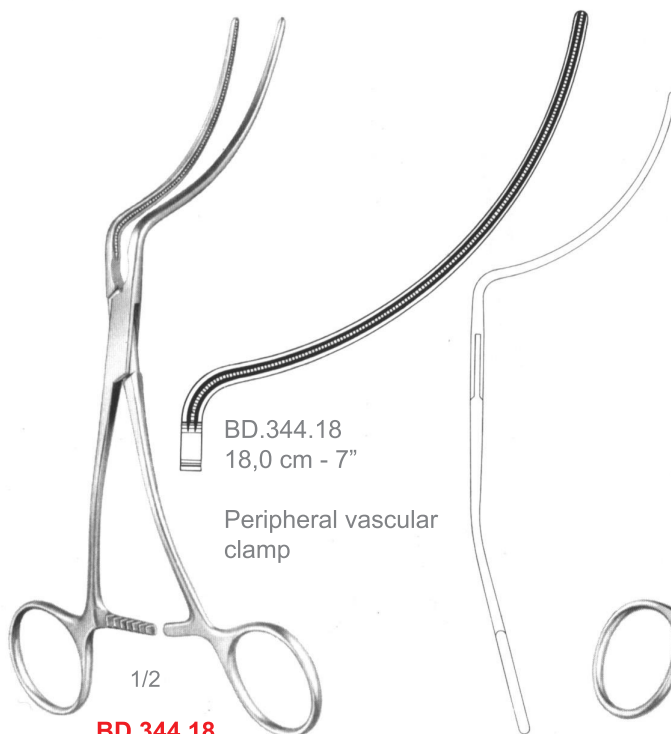
BD.344.16

Martin
Atrauma Cardiovascular
Forceps



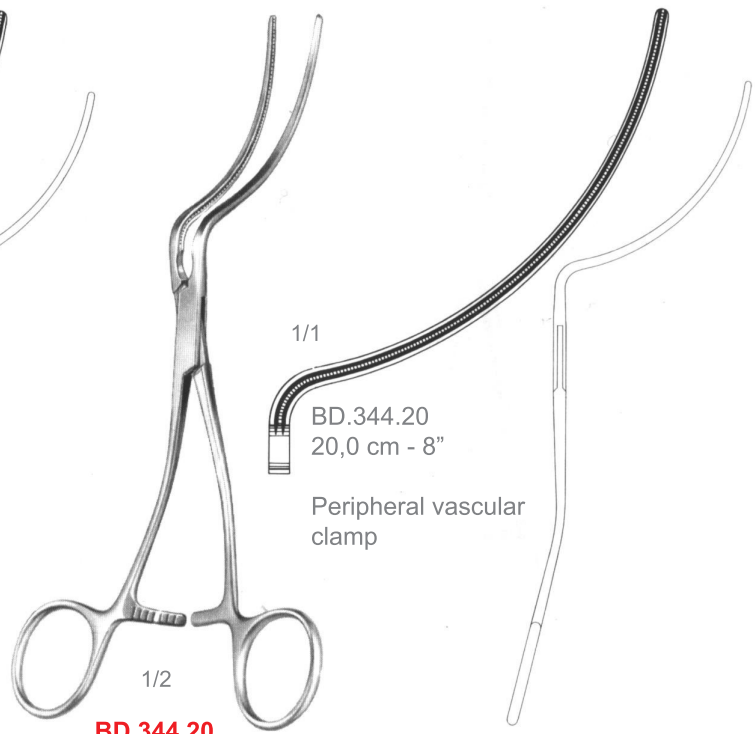
BD.344.17

Martin
Atrauma Cardiovascular
Forceps



BD.344.18

Martin
Atrauma Cardiovascular
Forceps



BD.344.20

Martin
Atrauma Cardiovascular
Forceps

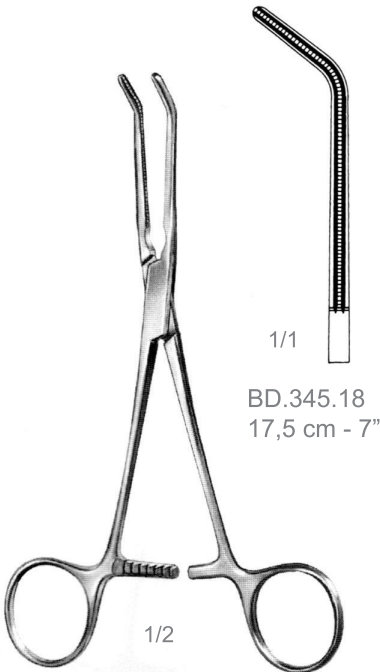
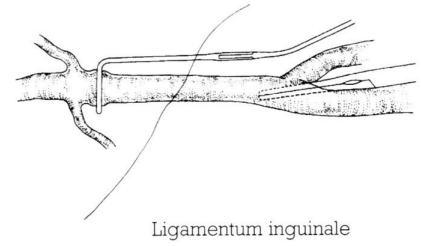
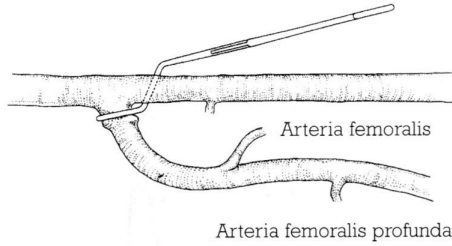
Kolpen

Atrauma Cardiovascular Forceps

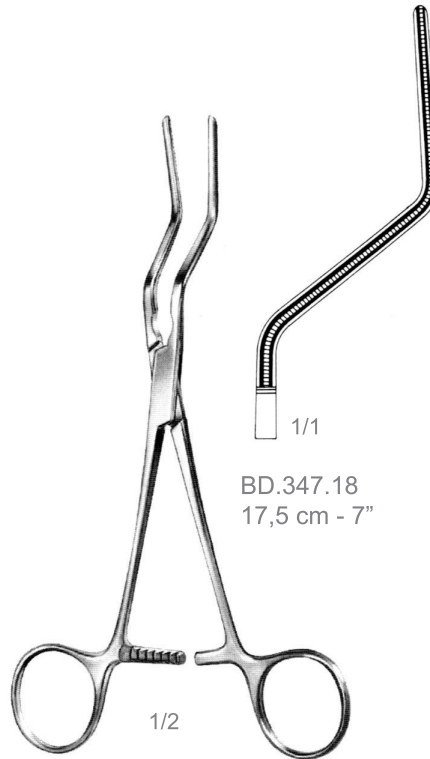
CARDIOVASCULAR SURGERY
CARDIOVASCULAR-CHIRURGIE
CIRUGÍA CARDIOVASCULAR

ATRAUMA CARDIOVASCULAR-KLEMMEN - ATRAUMA PINZAS-CLAMPS
CARDIOVASCULARES

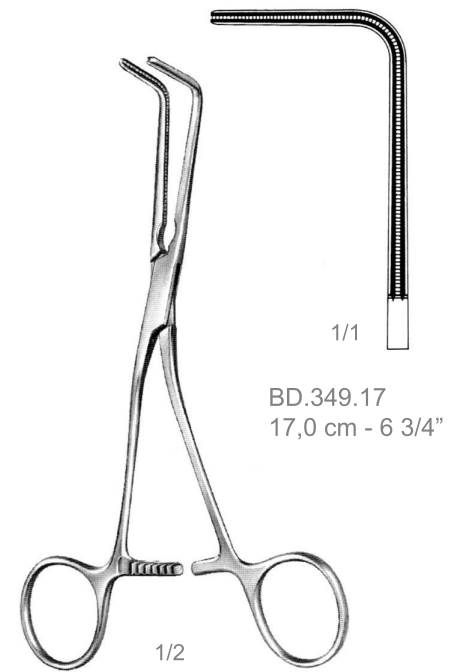
BD



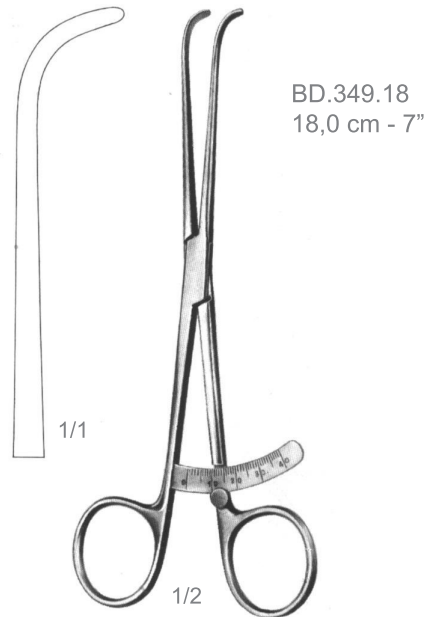
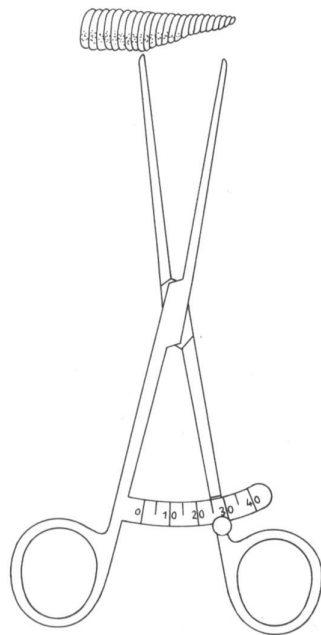
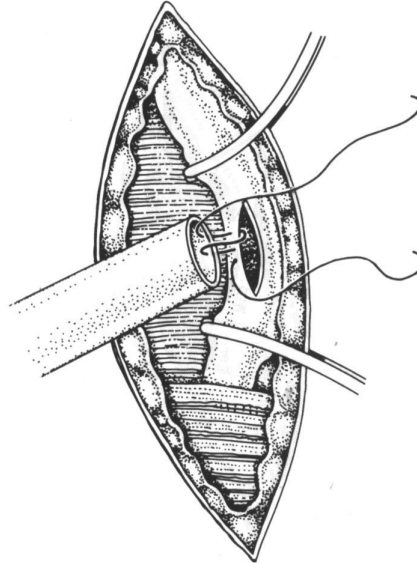
BD.345.18
Husfeldt
Atrauma Cardiovascular
Forceps



BD.347.18
Husfeldt
Atrauma Cardiovascular
Forceps



BD.349.17
Husfeldt
Atrauma Cardiovascular
Forceps



BD.349.18
18,0 cm - 7"

BD.349.18
Vascular Measuring
Device

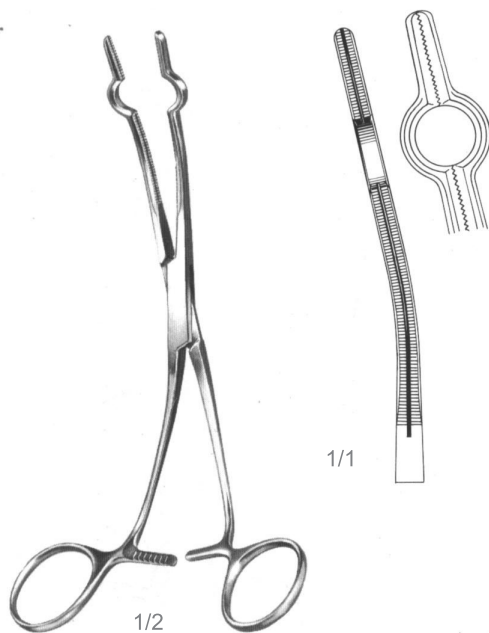
Kolpen

Atrauma Cardiovascular Forceps

CARDIOVASCULAR SURGERY
CARDIOVASCULAR-CHIRURGIE
CIRUGÍA CARDIOVASCULAR

ATRAUMA CARDIOVASCULAR-KLEMMEN - ATRAUMA PINZAS-CLAMPS
CARDIOVASCULARES

BD



BD.350.01/07
Cooley
Atrauma Cardiovascular
Forceps

	Charriere (French)	Length cm	
BD.350.01	24	16	for children
BD.350.02	26	16	for children
BD.350.03	28	20	for adults
BD.350.04	30	20	for adults
BD.350.05	32	20	for adults
BD.350.07	36	20	for adults

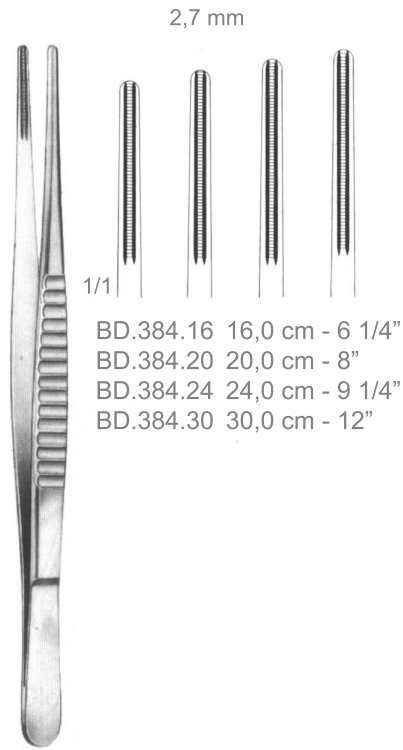
Atrauma Tissue Forceps

ATRAUMA PINZETTEN - PINZAS DE DISECCIÓN ATRAUMA

Kolpen

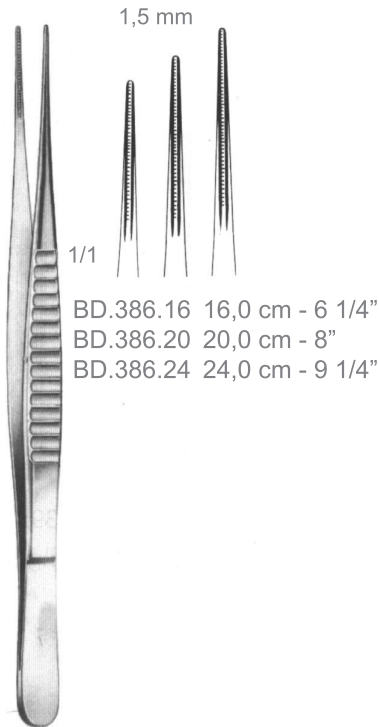
CARDIOVASCULAR SURGERY
 CARDIOVASCULAR-CHIRURGIE
 CIRUGÍA CARDIOVASCULAR

BD



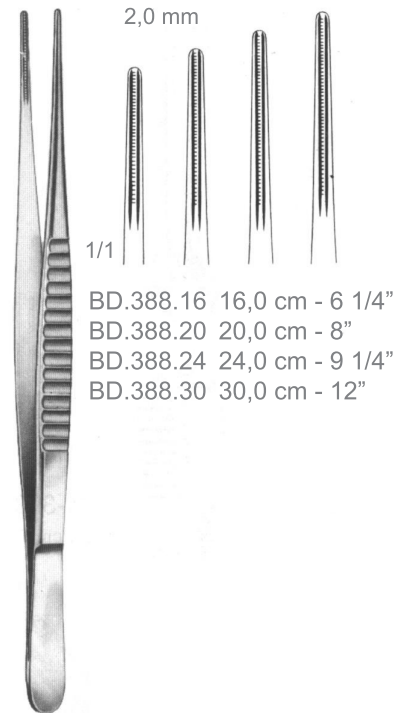
BD.384.16 16,0 cm - 6 1/4"
 BD.384.20 20,0 cm - 8"
 BD.384.24 24,0 cm - 9 1/4"
 BD.384.30 30,0 cm - 12"

BD.384.16/30
 De Bakey
 Atrauma Tissue
 Forceps



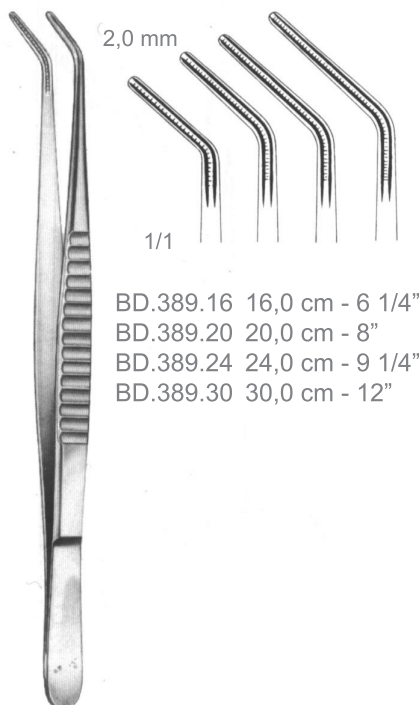
BD.386.16 16,0 cm - 6 1/4"
 BD.386.20 20,0 cm - 8"
 BD.386.24 24,0 cm - 9 1/4"

BD.386.16/24
 De Bakey
 Atrauma Tissue
 Forceps



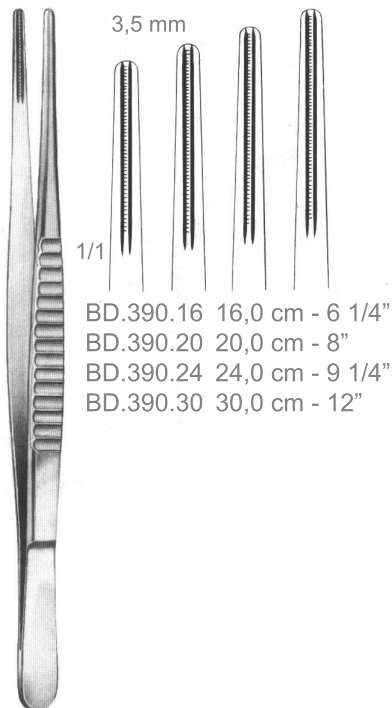
BD.388.16 16,0 cm - 6 1/4"
 BD.388.20 20,0 cm - 8"
 BD.388.24 24,0 cm - 9 1/4"
 BD.388.30 30,0 cm - 12"

BD.388.16/30
 De Bakey
 Atrauma Tissue
 Forceps



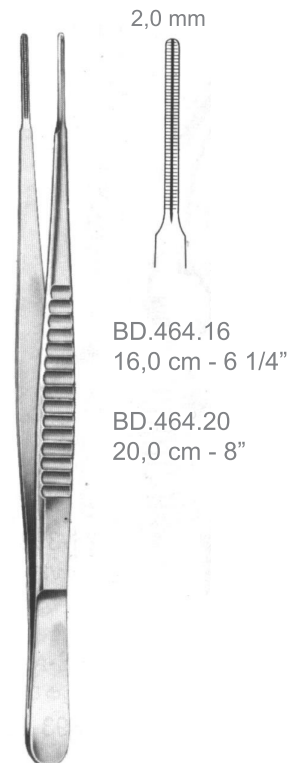
BD.389.16 16,0 cm - 6 1/4"
 BD.389.20 20,0 cm - 8"
 BD.389.24 24,0 cm - 9 1/4"
 BD.389.30 30,0 cm - 12"

BD.389.16/30
 De Bakey
 Atrauma Tissue
 Forceps



BD.390.16 16,0 cm - 6 1/4"
 BD.390.20 20,0 cm - 8"
 BD.390.24 24,0 cm - 9 1/4"
 BD.390.30 30,0 cm - 12"

BD.390.16/30
 De Bakey
 Atrauma Tissue
 Forceps



BD.464.16 16,0 cm - 6 1/4"
 BD.464.20 20,0 cm - 8"

BD.464.16/20
 Cooley
 Atrauma Tissue
 Forceps

BD



1/1

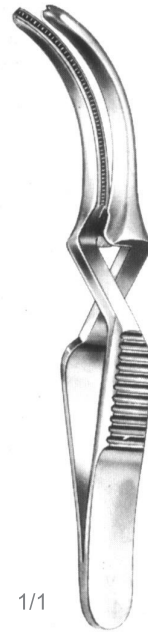
BD.392.07/12
Atrauma Bulldog
Clamps

BD.392.07
7,5 cm - 3"

BD.392.08
8,5 cm - 3 1/2"

BD.392.10
10,5 cm - 4 1/4"

BD.392.12
12,0 cm - 4 3/4"



1/1

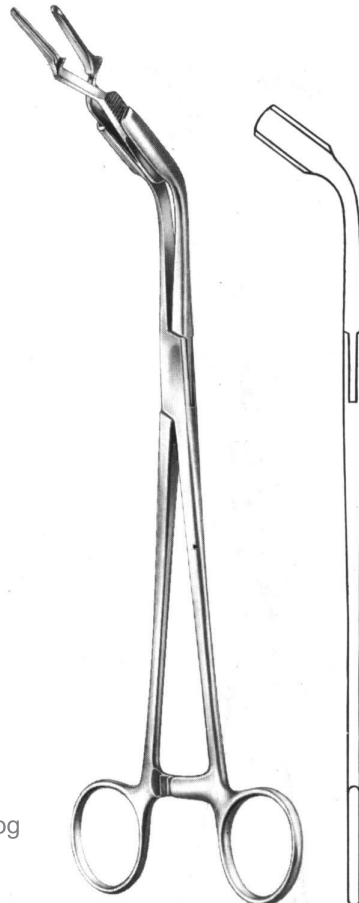
BD.393.07/12
Atrauma Bulldog
Clamps

BD.393.07
7,0 cm - 2 3/4"

BD.393.08
8,0 cm - 3 1/4"

BD.393.10
10,0 cm - 4"

BD.393.12
11,5 cm - 4 3/4"



BD.395.23
Atrauma Bulldog
Clamps

BD.395.23
23,0 cm - 9"

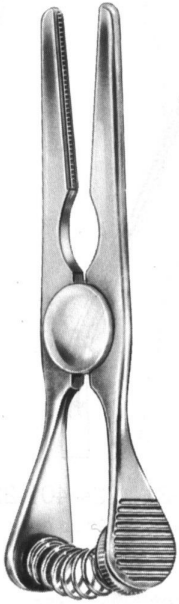
Atrauma Cardiovascular Forceps

ATRAUMA CARDIOVASCULAR-KLEMMEN - ATRAUMA PINZAS-CLAMPS
 CARDIOVASCULARES

Kolpen

CARDIOVASCULAR SURGERY
 CARDIOVASCULAR-CHIRURGIE
 CIRUGÍA CARDIOVASCULAR

BD



1/1

BD.398.06/11

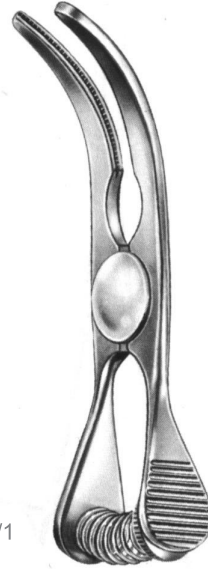
Glover
 Atrauma Cardiovascular
 Forceps

BD.398.06
 6,0 cm - 2 1/2"

BD.398.07
 7,0 cm - 2 3/4"

BD.398.09
 9,0 cm - 3 1/2"

BD.398.11
 11,0 cm - 4 1/2"



1/1

BD.399.06/11

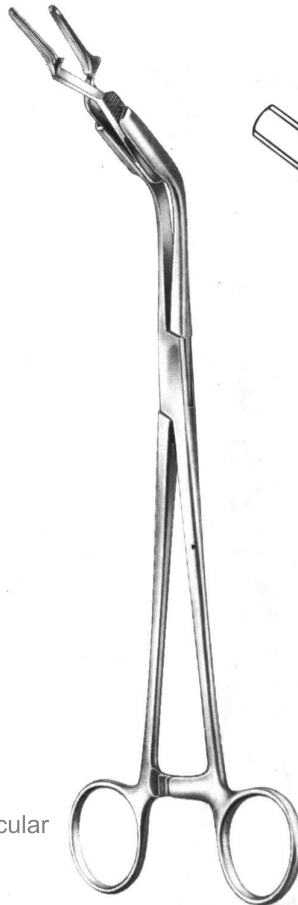
Glover
 Atrauma Cardiovascular
 Forceps

BD.399.06
 5,5 cm - 2 1/2"

BD.399.07
 6,5 cm - 2 3/4"

BD.399.09
 8,5 cm - 3 1/2"

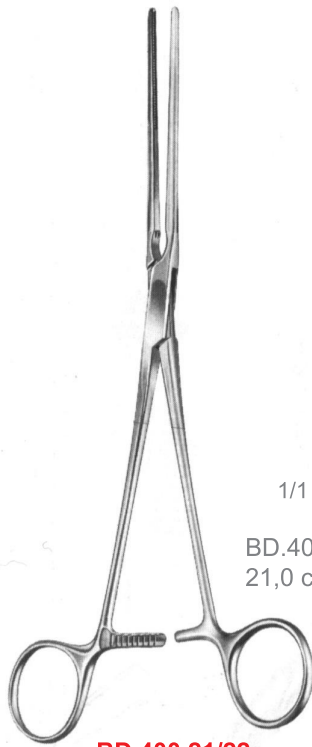
BD.399.11
 10,5 cm - 4 1/2"



BD.395.23
 Atrauma Cardiovascular
 Forceps

BD.395.23
 23,0 cm - 9"

BD

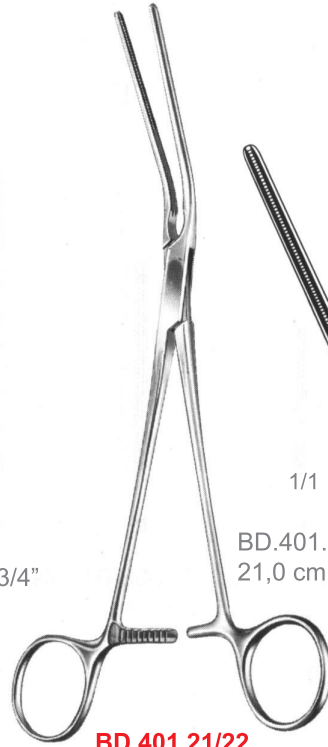


BD.400.21 21,0 cm - 8 1/4"
 BD.400.22 22,0 cm - 8 3/4"

Coarctation forceps

BD.400.21/22

Potts
 Atrauma Cardiovascular
 Forceps

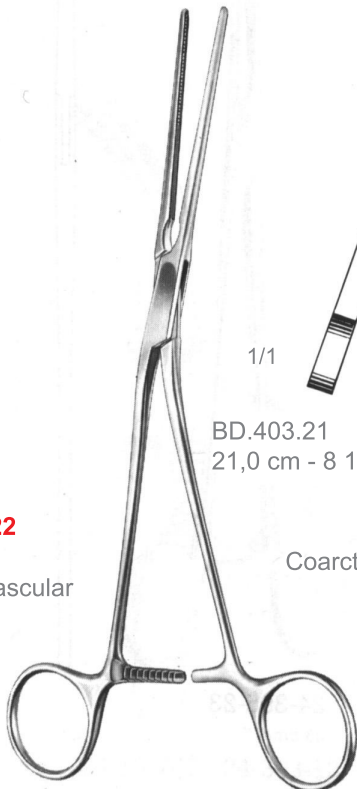


BD.401.21 21,0 cm - 8 1/4"
 BD.401.22 22,0 cm - 8 3/4"

Coarctation forceps

BD.401.21/22

Potts
 Atrauma Cardiovascular
 Forceps



BD.403.21 21,0 cm - 8 1/4"

BD.403.22 22,0 cm - 8 3/4"

Coarctation forceps

BD.403.21/22

Potts
 Atrauma Cardiovascular
 Forceps

Atrauma Cardiovascular Forceps

ATRAUMA CARDIOVASCULAR-KLEMMEN - ATRAUMA PINZAS-CLAMPS
CARDIOVASCULARES

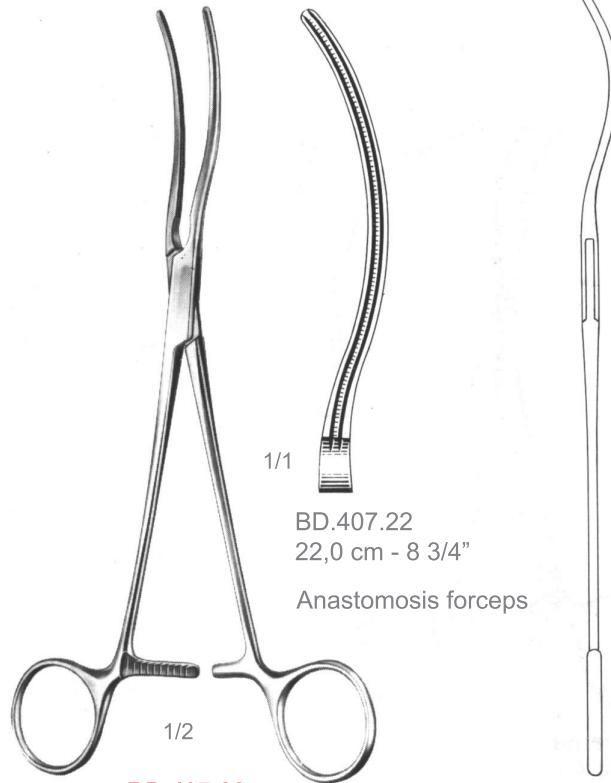
Kolpen

CARDIOVASCULAR SURGERY
CARDIOVASCULAR-CHIRURGIE
CIRUGÍA CARDIOVASCULAR

BD



BD.405.22
Potts
Atrauma Cardiovascular
Forceps



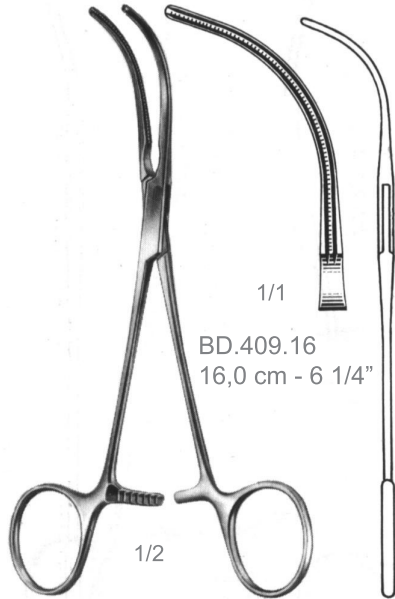
BD.407.22
Potts
Atrauma Cardiovascular
Forceps



BD.408.19/23
De Bakey
Atrauma Cardiovascular
Forceps

BD

Peripheral vascular clamps

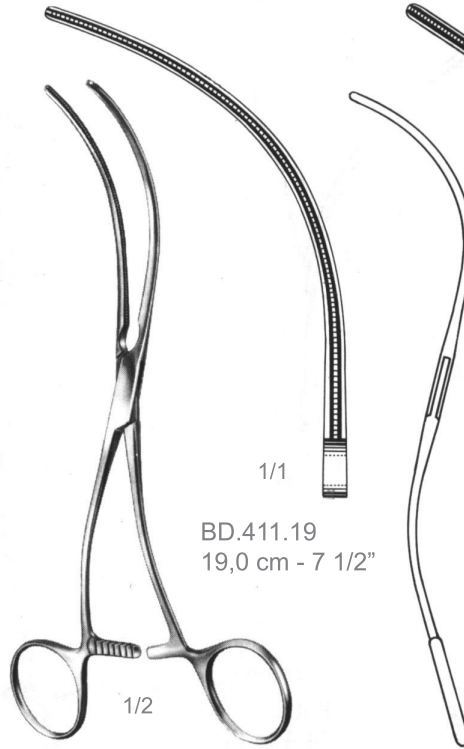


1/1
 BD.409.16
 16,0 cm - 6 1/4"

1/2

BD.409.16
 De Bakey
 Atrauma Cardiovascular
 Forceps

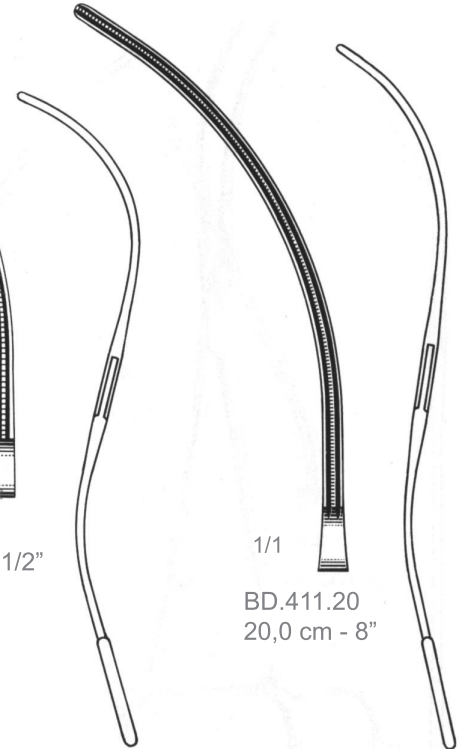
Peripheral vascular clamps



1/1
 BD.411.19
 19,0 cm - 7 1/2"

1/2

BD.411.19/20
 De Bakey
 Atrauma Cardiovascular
 Forceps



1/1
 BD.411.20
 20,0 cm - 8"

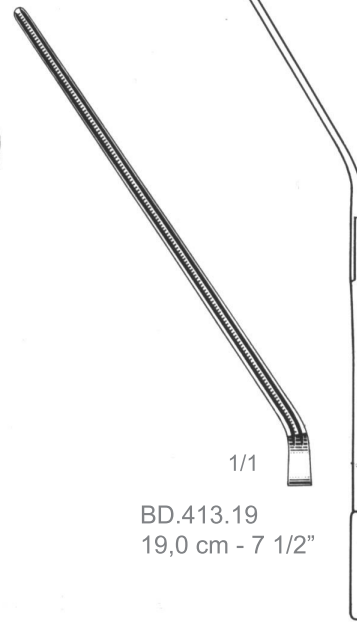


1/1
 BD.413.18
 18,0 cm - 7"

BD.413.18/20
 Leland-Jones
 Atrauma Cardiovascular
 Forceps



1/1
 BD.413.19
 19,0 cm - 7 1/2"



1/1
 BD.413.20
 20,0 cm - 8"

Peripheral vascular clamps

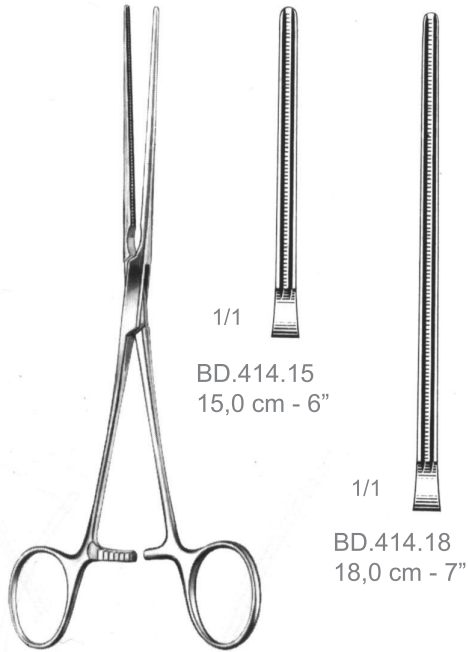
Atrauma Cardiovascular Forceps

ATRAUMA CARDIOVASCULAR-KLEMMEN - ATRAUMA PINZAS-CLAMPS
 CARDIOVASCULARES

Kolpen

CARDIOVASCULAR SURGERY
 CARDIOVASCULAR-CHIRURGIE
 CIRUGÍA CARDIOVASCULAR

BD



1/1
 BD.414.15
 15,0 cm - 6"

1/1
 BD.414.18
 18,0 cm - 7"

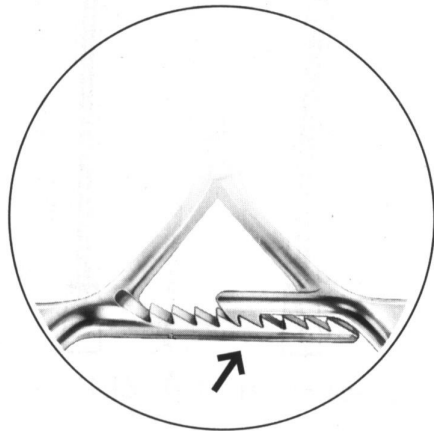
BD.414.15/18
 Bainbridge
 Atrauma Cardiovascular
 Forceps



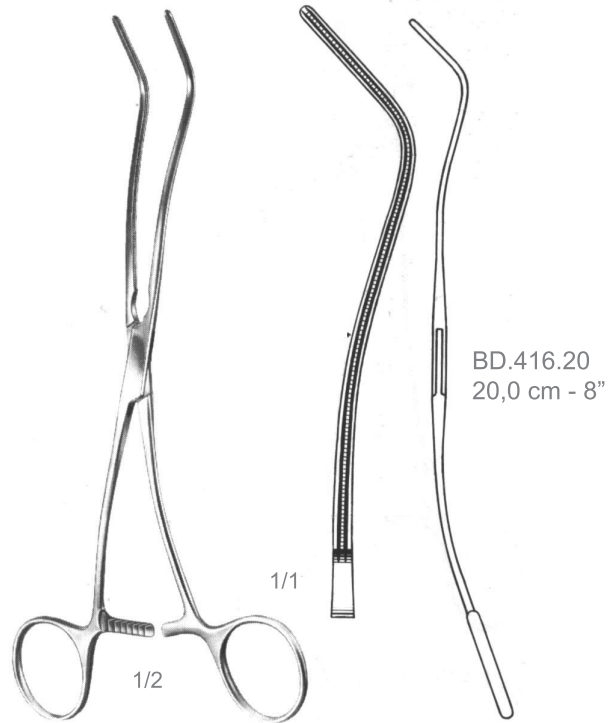
1/1
 BD.415.15
 15,0 cm - 6"

1/1
 BD.415.18
 18,0 cm - 7"

BD.415.15/18
 Bainbridge
 Atrauma Cardiovascular
 Forceps



A precise double ratchet holds the Clamp-Forceps reliably locked



1/1
 1/2

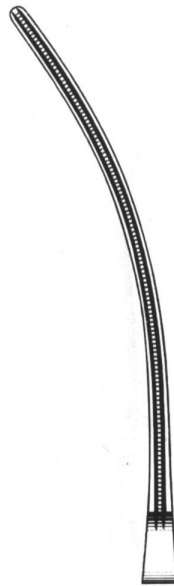
BD.416.20
 20,0 cm - 8"

BD.416.20
 De Bakey
 Atrauma Cardiovascular
 Forceps

Renal artery clamp



BD.417.26/33
Atrauma Cardiovascular
Forceps



BD.417.26
26,0 cm - 10 1/4"

BD.417.27
27,0 cm - 10 1/2"

BD.417.31
31,0 cm - 12 1/4"

BD.417.33
33,0 cm - 13"

Aortic aneurysm clamps

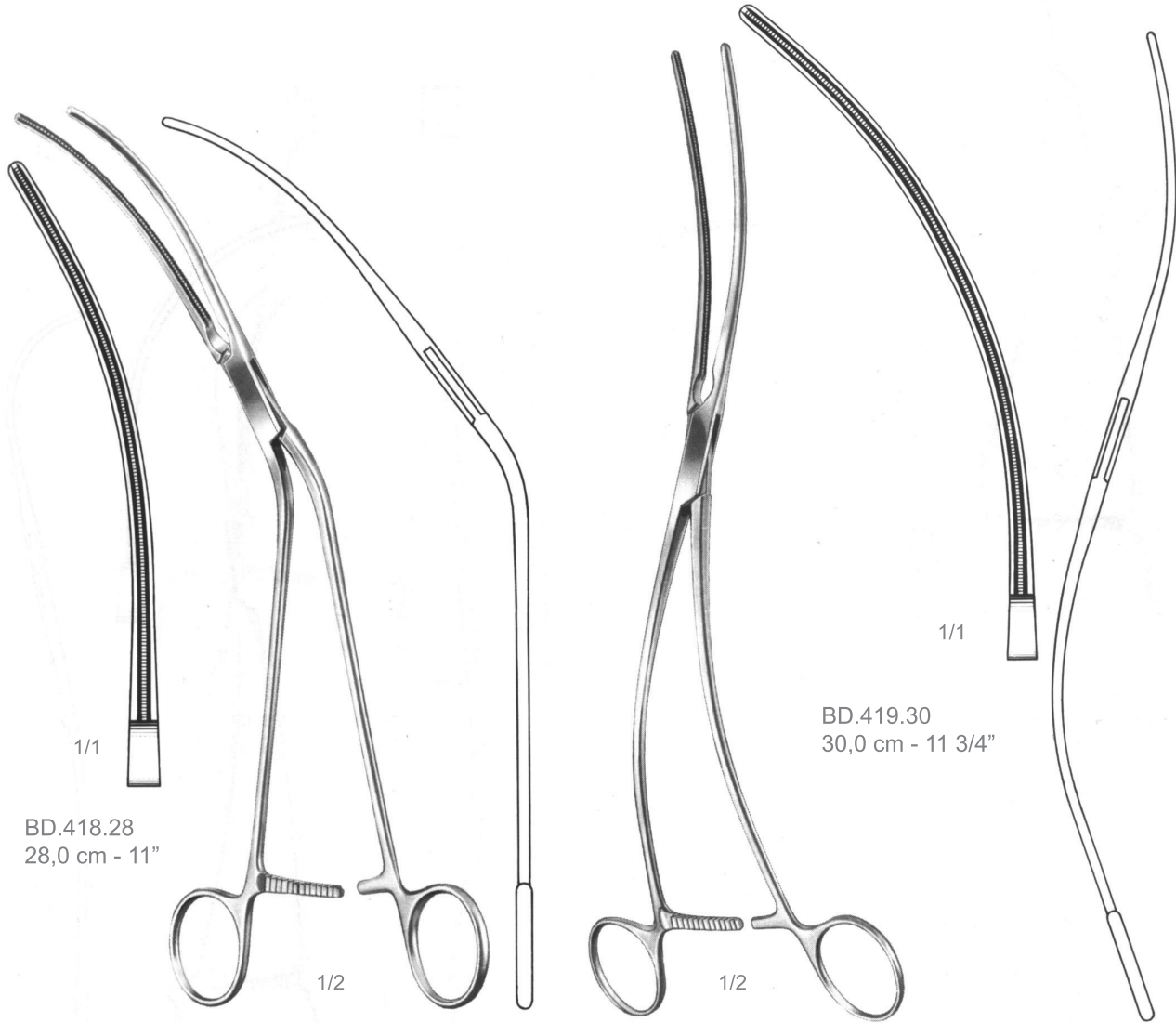
Atrauma Cardiovascular Forceps

ATRAUMA CARDIOVASCULAR-KLEMMEN - ATRAUMA PINZAS-CLAMPS
CARDIOVASCULARES

Kolpen

CARDIOVASCULAR SURGERY
CARDIOVASCULAR-CHIRURGIE
CIRUGÍA CARDIOVASCULAR

BD



BD.418.28
28,0 cm - 11"

BD.418.28

De Bakey
Atrauma Cardiovascular
Forceps

BD.419.30
30,0 cm - 11 3/4"

BD.419.30

Atrauma Cardiovascular
Forceps

Aortic aneurysm clamps

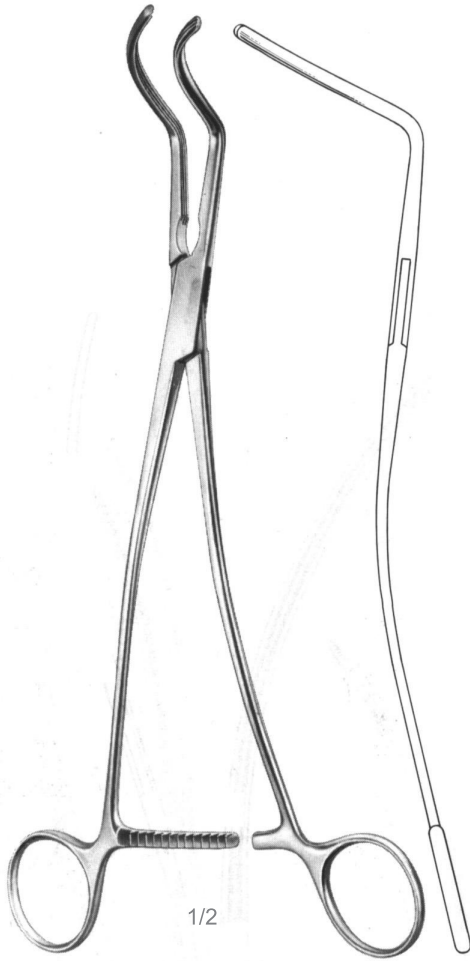
Kolpen

Atrauma Cardiovascular Forceps

CARDIOVASCULAR SURGERY
CARDIOVASCULAR-CHIRURGIE
CIRUGÍA CARDIOVASCULAR

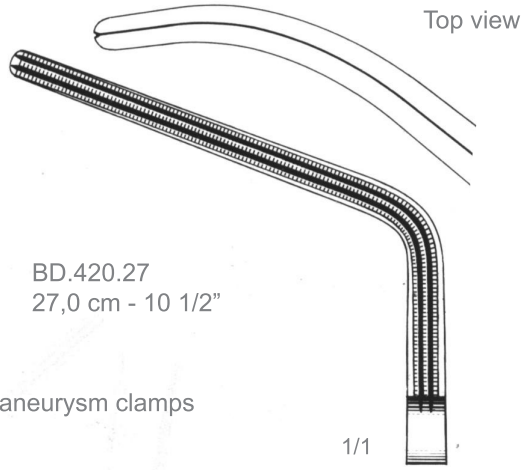
ATRAUMA CARDIOVASCULAR-KLEMMEN - ATRAUMA PINZAS-CLAMPS
CARDIOVASCULARES

BD



1/2

BD.420.27
De Bakey
Atrauma Cardiovascular
Forceps

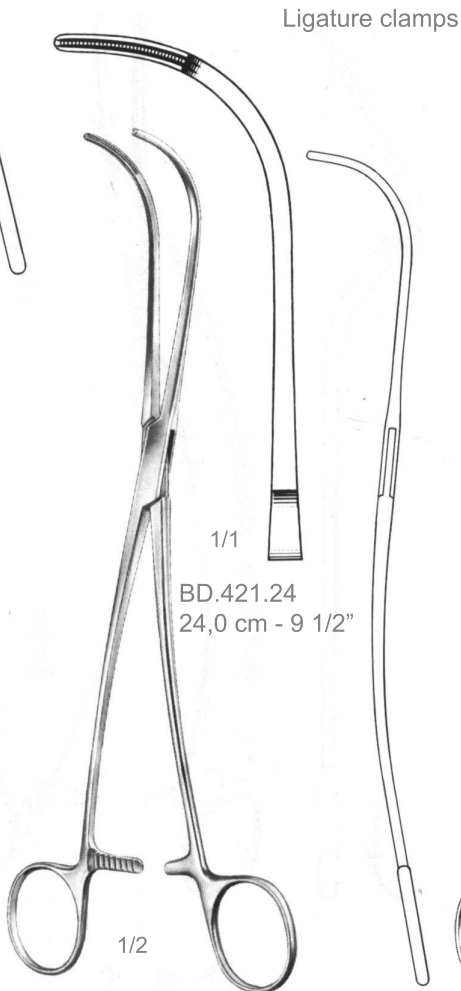


Top view

BD.420.27
27,0 cm - 10 1/2"

Aortic aneurysm clamps

1/1



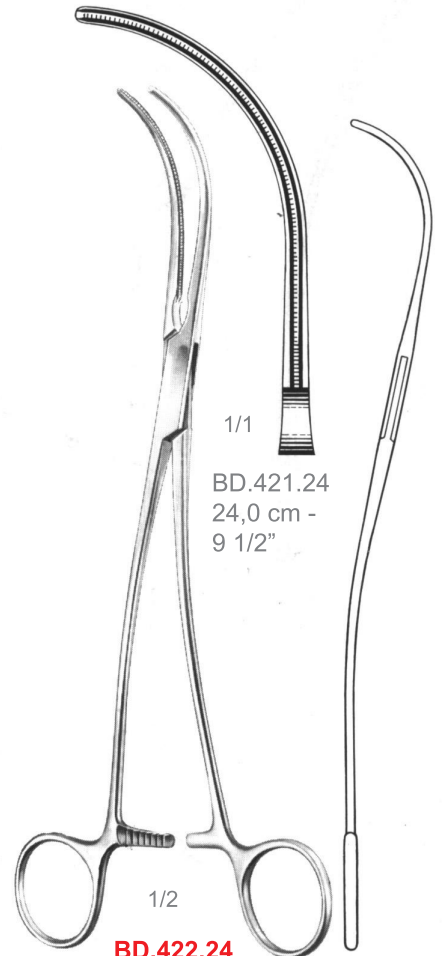
1/1

BD.421.24
24,0 cm - 9 1/2"

Ligature clamps

1/2

BD.421.24
De Bakey
Atrauma Cardiovascular
Forceps



1/1

BD.421.24
24,0 cm -
9 1/2"

1/2

BD.422.24
De Bakey
Atrauma Cardiovascular
Forceps

Atrauma Cardiovascular Forceps

ATRAUMA CARDIOVASCULAR-KLEMMEN - ATRAUMA PINZAS-CLAMPS
CARDIOVASCULARES

Kolpen

CARDIOVASCULAR SURGERY
CARDIOVASCULAR-CHIRURGIE
CIRUGÍA CARDIOVASCULAR

BD

Aortic clamps



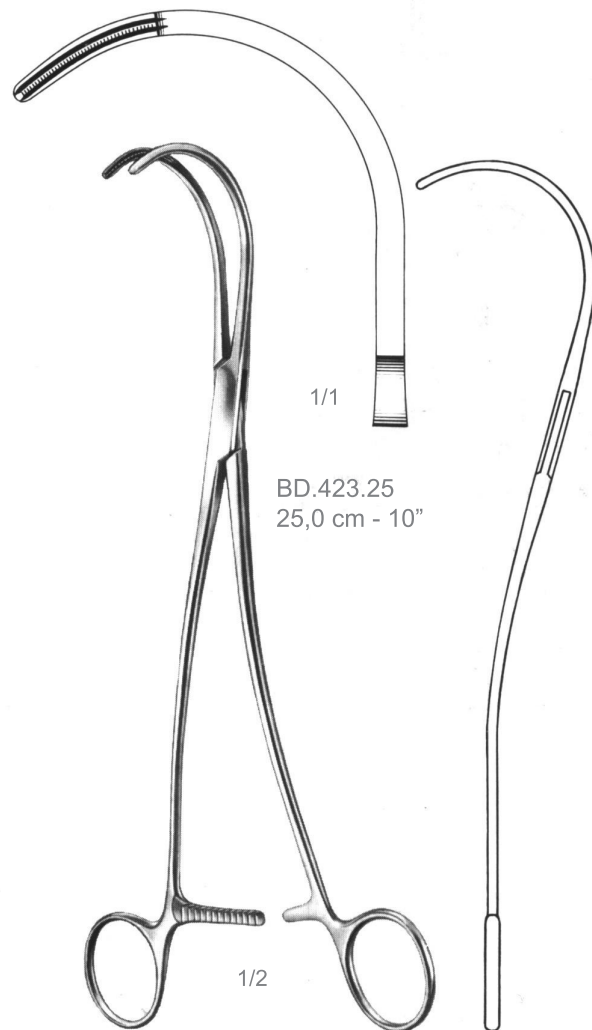
1/1

BD.423.26
26,0 cm - 10"

1/2

BD.423.26
De Bakey
Atrauma Cardiovascular
Forceps

Ligature clamps



1/1

BD.423.25
25,0 cm - 10"

1/2

BD.423.25
De Bakey
Atrauma Cardiovascular
Forceps

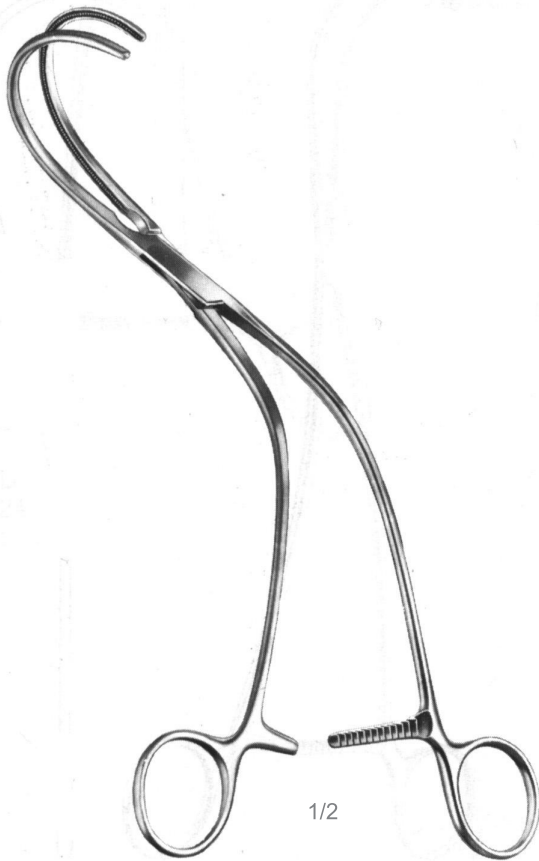
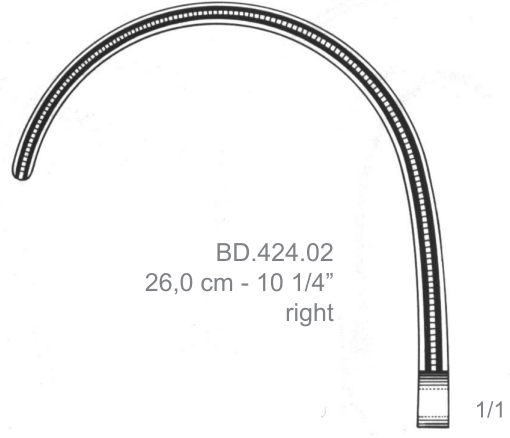
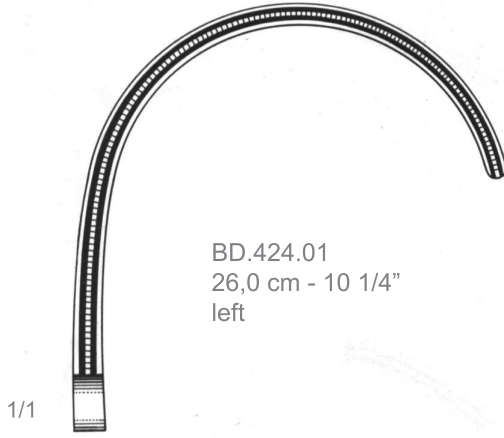
Kolpen

Atrauma Cardiovascular Forceps

CARDIOVASCULAR SURGERY
CARDIOVASCULAR-CHIRURGIE
CIRUGÍA CARDIOVASCULAR

ATRAUMA CARDIOVASCULAR-KLEMMEN - ATRAUMA PINZAS-CLAMPS
CARDIOVASCULARES

BD



BD.424.01
Weber
Atrauma Cardiovascular
Forceps



BD.424.02
Weber
Atrauma Cardiovascular
Forceps

Aortic clamps

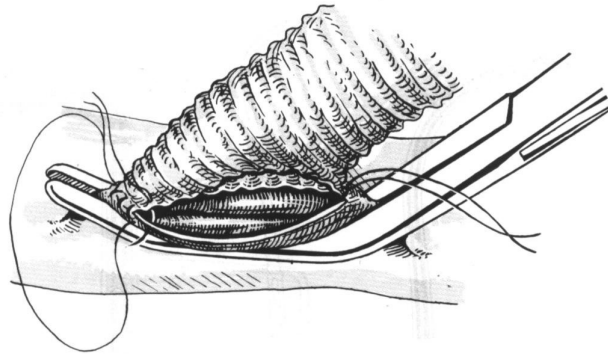
Atrauma Cardiovascular Forceps

ATRAUMA CARDIOVASCULAR-KLEMMEN - ATRAUMA PINZAS-CLAMPS
CARDIOVASCULARES

Kolpen

CARDIOVASCULAR SURGERY
CARDIOVASCULAR-CHIRURGIE
CIRUGÍA CARDIOVASCULAR

BD



	BD.425.20 20,5 cm - 8"	
	BD.425.24 24,0 cm - 9 3/4"	
	BD.425.25 25,0 cm - 10"	
	BD.425.26 26,5 cm - 10 1/2"	
	BD.425.27 27,5 cm - 10 3/4"	

BD.425.20/27
Satinsky
Atrauma Cardiovascular
Forceps

Tangential occlusion clamps

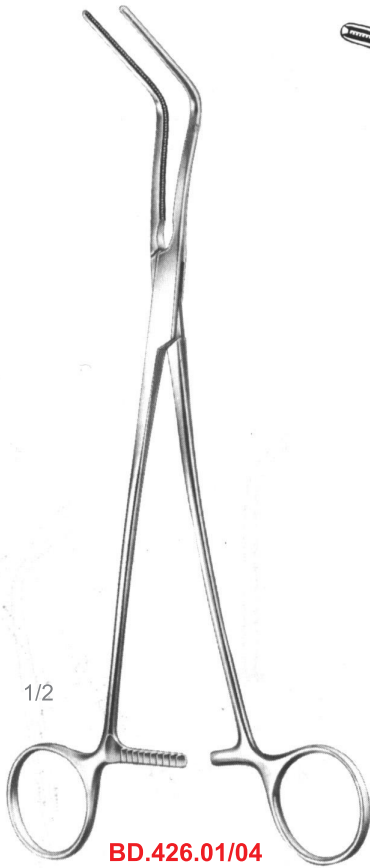
Kolpen

Atrauma Cardiovascular Forceps

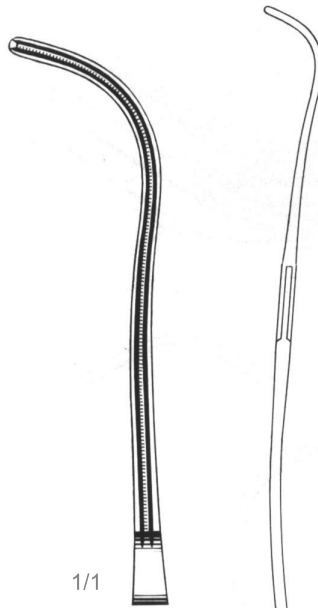
CARDIOVASCULAR SURGERY
CARDIOVASCULAR-CHIRURGIE
CIRUGÍA CARDIOVASCULAR

ATRAUMA CARDIOVASCULAR-KLEMMEN - ATRAUMA PINZAS-CLAMPS
CARDIOVASCULARES

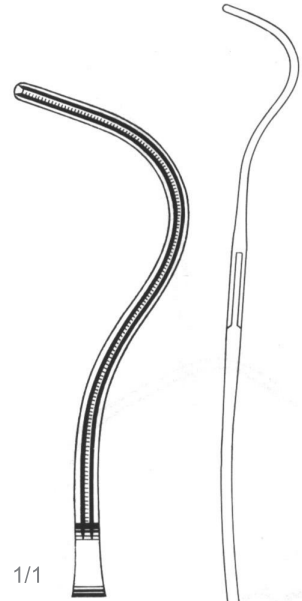
BD



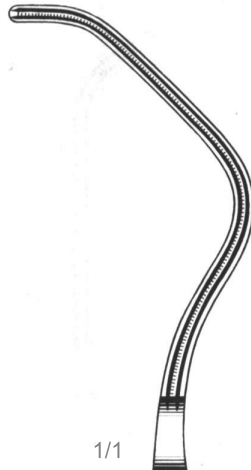
BD.426.01/04
Harken
Atrauma Cardiovascular
Forceps



BD.426.01
24,0 cm - 9 1/2"



BD.426.02
24,0 cm - 9 1/2"



BD.426.03
24,0 cm - 9 1/2"



BD.426.04
24,0 cm - 9 1/2"

Auricle clamps

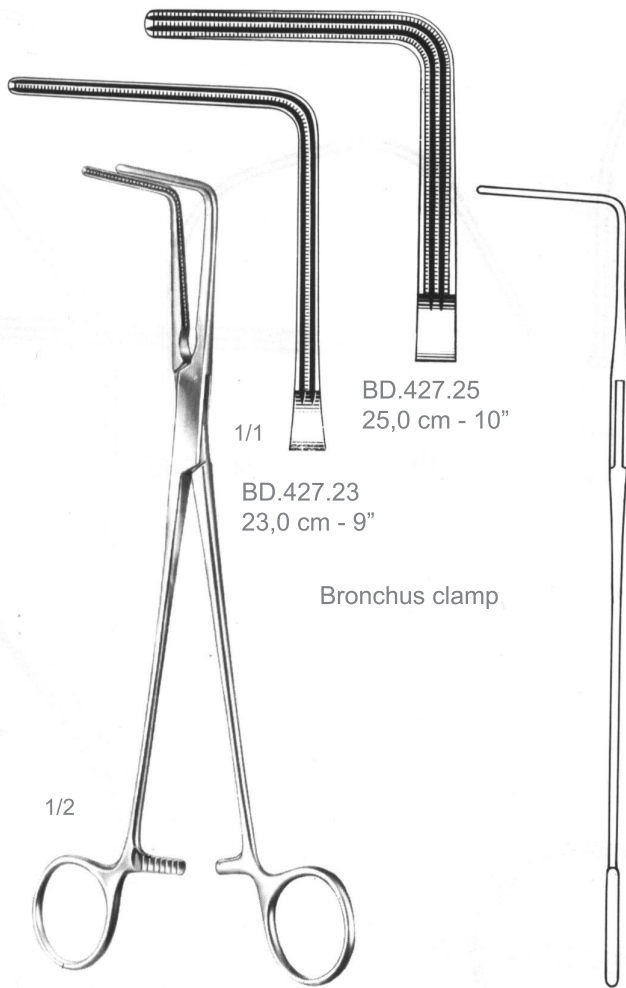
Atrauma Cardiovascular Forceps

ATRAUMA CARDIOVASCULAR-KLEMMEN - ATRAUMA PINZAS-CLAMPS
CARDIOVASCULARES

Kolpen

CARDIOVASCULAR SURGERY
CARDIOVASCULAR-CHIRURGIE
CIRUGÍA CARDIOVASCULAR

BD



BD.427.25
25,0 cm - 10"
1/1

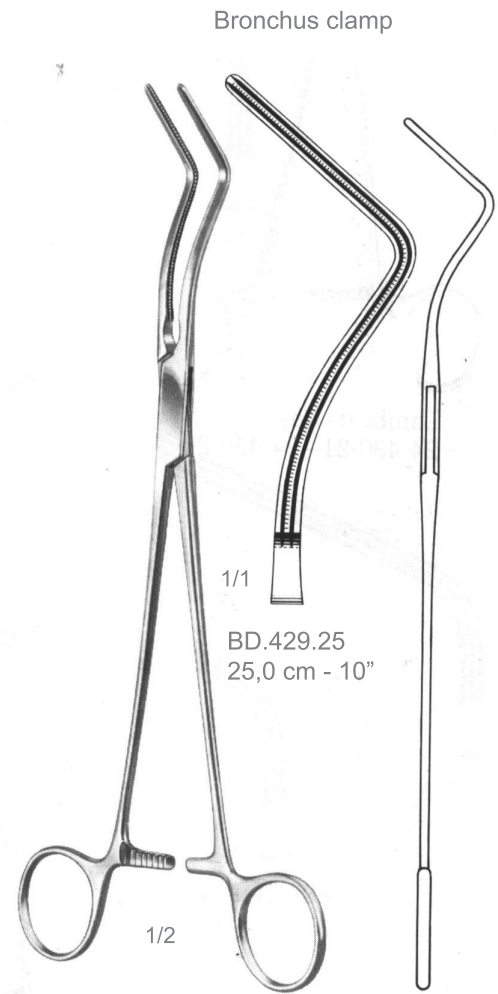
BD.427.23
23,0 cm - 9"

Bronchus clamp

1/2

BD.427.23/25

Lees
Atrauma Cardiovascular
Forceps



BD.429.25
25,0 cm - 10"
1/1

Bronchus clamp

1/2

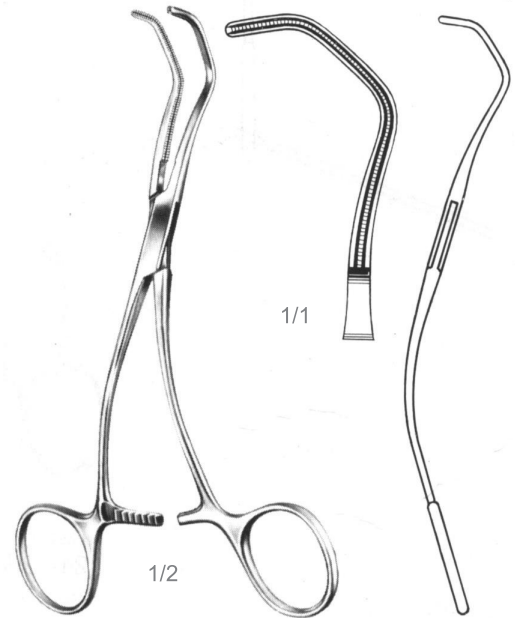
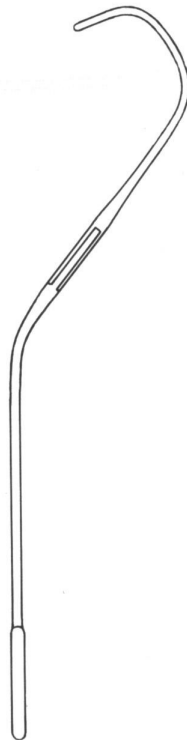
BD.429.25

Lees
Atrauma Cardiovascular
Forceps

BD



BD.430.21/22
Lambert - Kay
Atrauma Cardiovascular
Forceps



BD.431.17
De Bakey
Atrauma Cardiovascular
Forceps

BD.431.17
17,0 cm - 6 3/4"

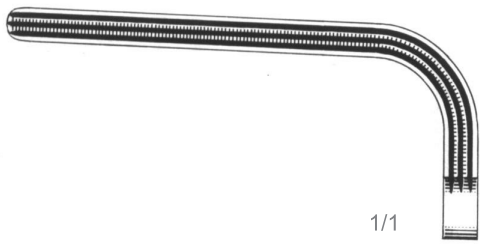
Atrauma Cardiovascular Forceps

ATRAUMA CARDIOVASCULAR-KLEMMEN - ATRAUMA PINZAS-CLAMPS
CARDIOVASCULARES

Kolpen

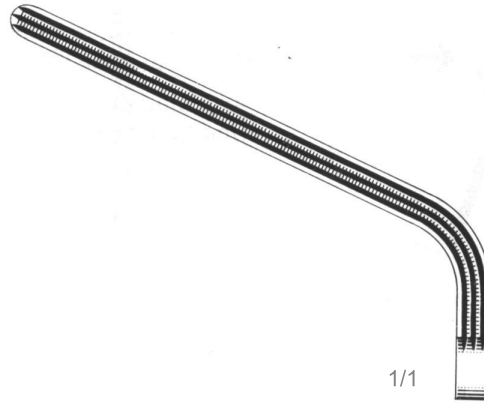
CARDIOVASCULAR SURGERY
CARDIOVASCULAR-CHIRURGIE
CIRUGÍA CARDIOVASCULAR

BD



1/1

BD.432.18
18,0 cm - 7"



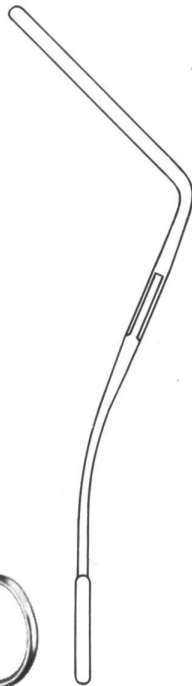
1/1

BD.432.20
20,0 cm - 8"



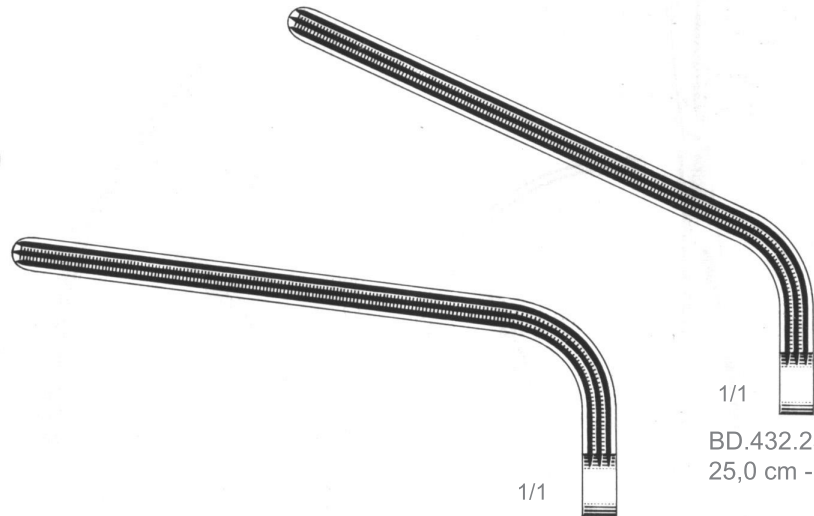
BD.432.18/25

Morris- De Bakey
Atrauma Cardiovascular
Forceps



1/1

BD.432.23
23,0 cm - 9"



1/1

BD.432.25
25,0 cm - 10"

Aortic clamps

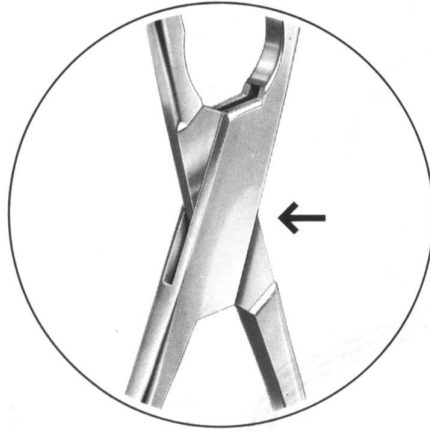
Kolpen

Atrauma Cardiovascular Forceps

CARDIOVASCULAR SURGERY
CARDIOVASCULAR-CHIRURGIE
CIRUGÍA CARDIOVASCULAR

ATRAUMA CARDIOVASCULAR-KLEMMEN - ATRAUMA PINZAS-CLAMPS
CARDIOVASCULARES

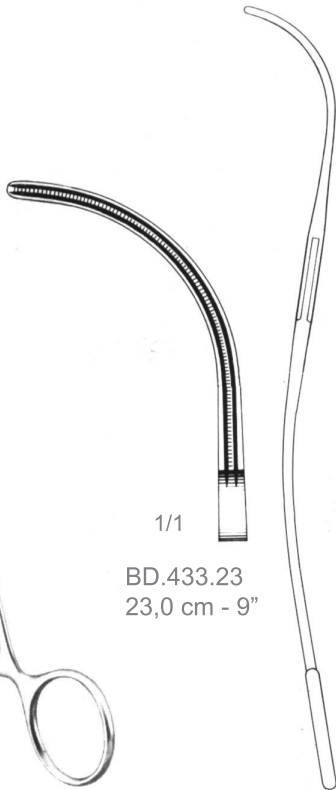
BD



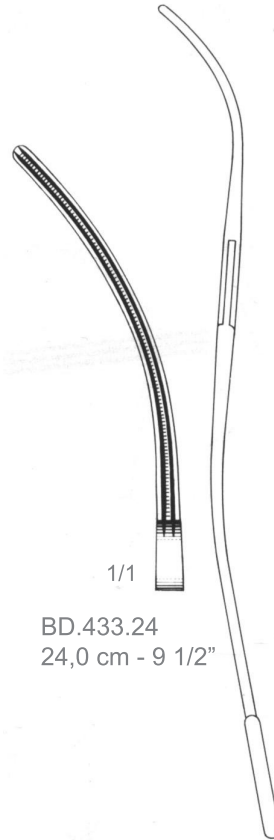
Precisely elaborated box lock -
A typical MARTIN quality characteristic



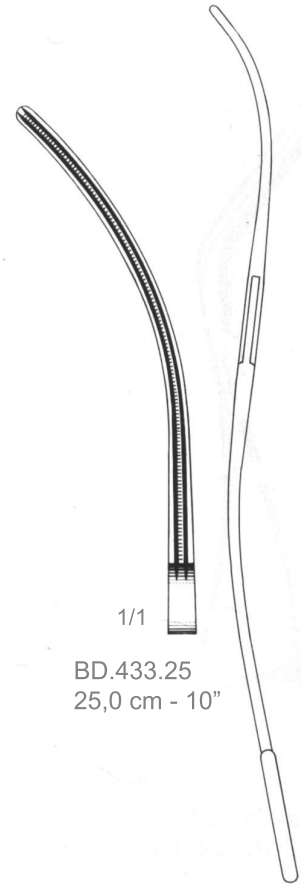
BD.433.23/25
De Bakey - Bahnson
Atrauma Cardiovascular
Forceps



1/1
BD.433.23
23,0 cm - 9"



1/1
BD.433.24
24,0 cm - 9 1/2"



1/1
BD.433.25
25,0 cm - 10"

Aortic aneurysm clamps/Iliac artery

Atrauma Cardiovascular Forceps

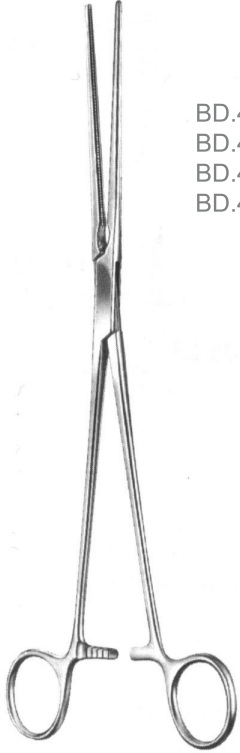
ATRAUMA CARDIOVASCULAR-KLEMMEN - ATRAUMA PINZAS-CLAMPS
CARDIOVASCULARES

Kolpen

CARDIOVASCULAR SURGERY
CARDIOVASCULAR-CHIRURGIE
CIRUGÍA CARDIOVASCULAR

BD

Coarctation clamp

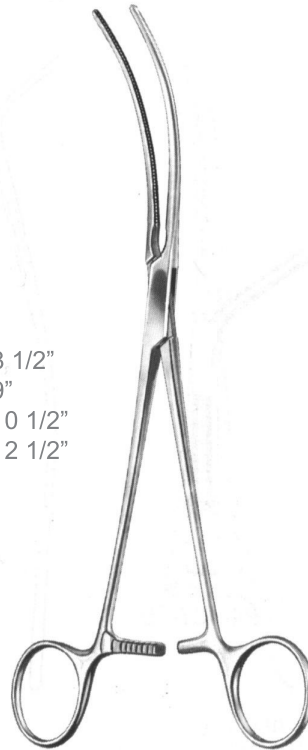


BD.434.21 21,5 cm - 8 1/2"
BD.434.23 23,0 cm - 9"
BD.434.27 27,0 cm - 10 1/2"
BD.434.31 31,5 cm - 12 1/2"

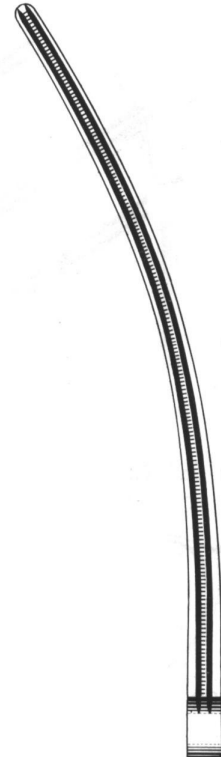


BD.434.21/31
Atrauma Cardiovascular
Forceps

Coarctation clamp



BD.435.21 21,5 cm - 8 1/2"
BD.435.23 23,0 cm - 9"
BD.435.27 27,0 cm - 10 1/2"
BD.435.31 31,5 cm - 12 1/2"



BD.435.21/31
Atrauma Cardiovascular
Forceps

Kolpen

Atrauma Cardiovascular Forceps

CARDIOVASCULAR SURGERY
CARDIOVASCULAR-CHIRURGIE
CIRUGÍA CARDIOVASCULAR

ATRAUMA CARDIOVASCULAR-KLEMMEN - ATRAUMA PINZAS-CLAMPS
CARDIOVASCULARES

BD

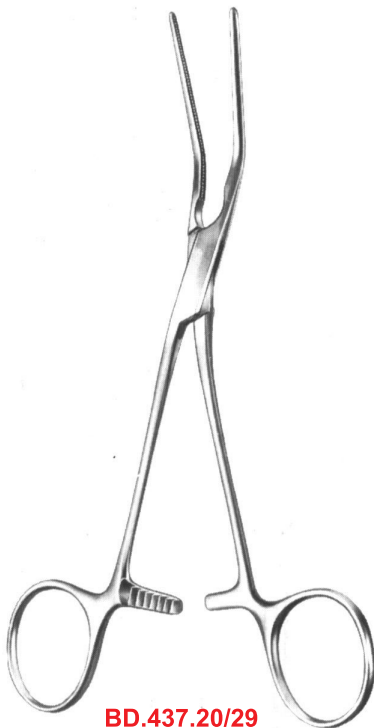
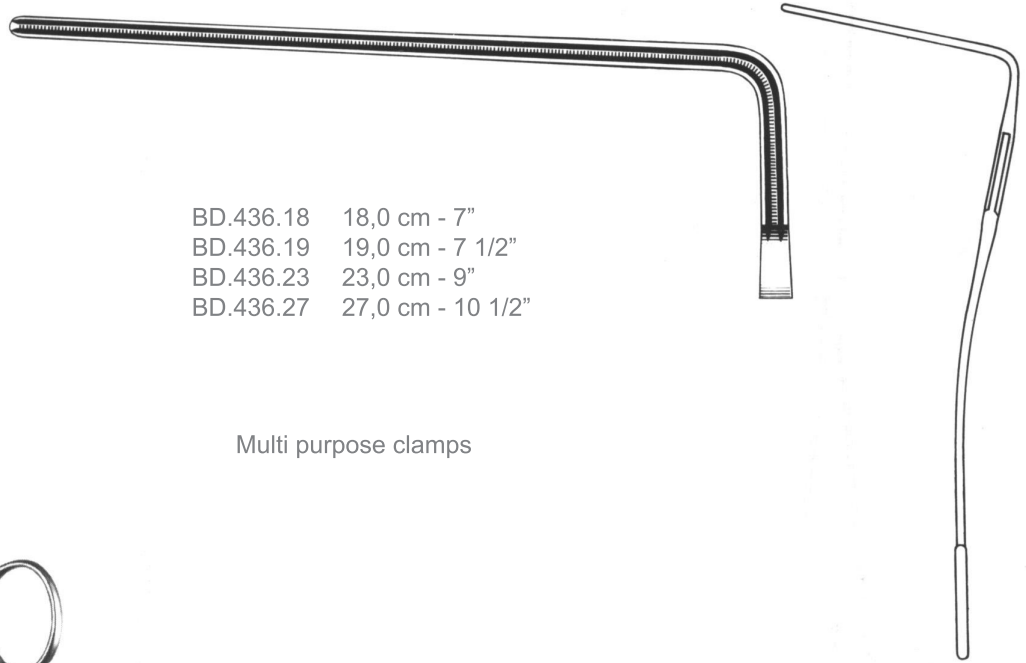


BD.436.18/27

De Bakey
Atrauma Cardiovascular
Forceps

BD.436.18 18,0 cm - 7"
BD.436.19 19,0 cm - 7 1/2"
BD.436.23 23,0 cm - 9"
BD.436.27 27,0 cm - 10 1/2"

Multi purpose clamps

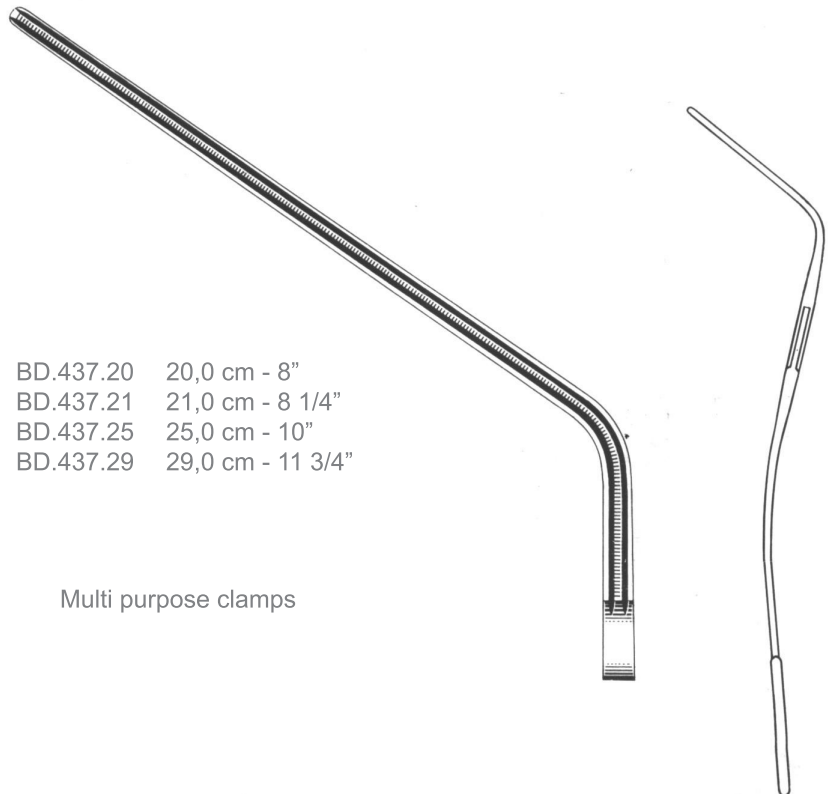


BD.437.20/29

De Bakey
Atrauma Cardiovascular
Forceps

BD.437.20 20,0 cm - 8"
BD.437.21 21,0 cm - 8 1/4"
BD.437.25 25,0 cm - 10"
BD.437.29 29,0 cm - 11 3/4"

Multi purpose clamps



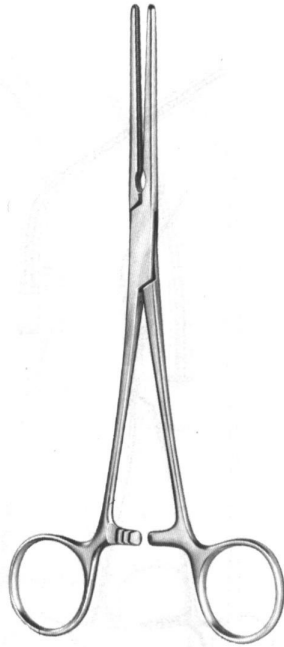
Atrauma Hemostatic Forceps

ATRAUMA ARTERIENKLEMMEN - ATRAUMA PINZAS HEMOSTÁTICAS

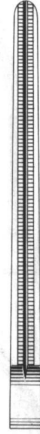
Kolpen

CARDIOVASCULAR SURGERY
CARDIOVASCULAR-CHIRURGIE
CIRUGÍA CARDIOVASCULAR

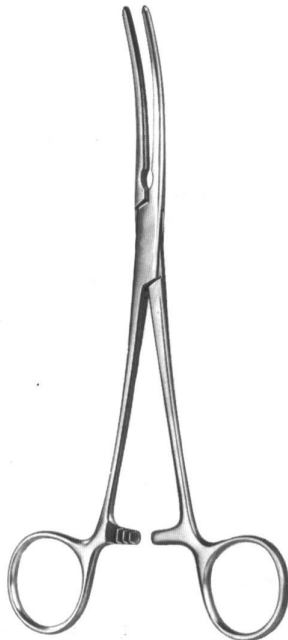
BD



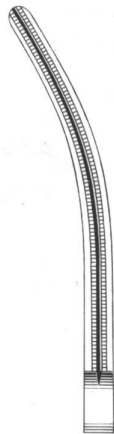
BD.438.12/20
De Bakey - Pean
Atrauma Hemostatic
Forceps



BD.438.12	12,0 cm - 4 3/4"	De Bakey - Mosquito
BD.438.14	14,0 cm - 5 1/2"	
BD.438.16	16,0 cm - 6 1/4"	
BD.438.18	18,0 cm - 7"	
BD.438.20	20,0 cm - 8"	

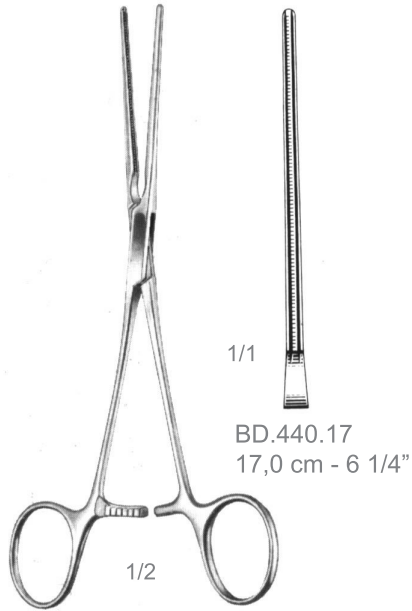


BD.439.12/20
De Bakey - Pean
Atrauma Hemostatic
Forceps

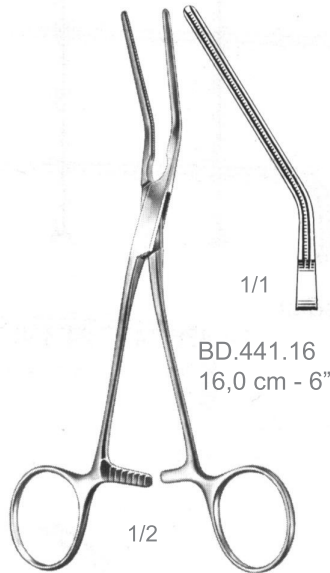


BD.439.12	12,0 cm - 4 3/4"	De Bakey - Mosquito
BD.439.14	14,0 cm - 5 1/2"	
BD.439.16	16,0 cm - 6 1/4"	
BD.439.18	18,0 cm - 7"	
BD.439.20	20,0 cm - 8"	

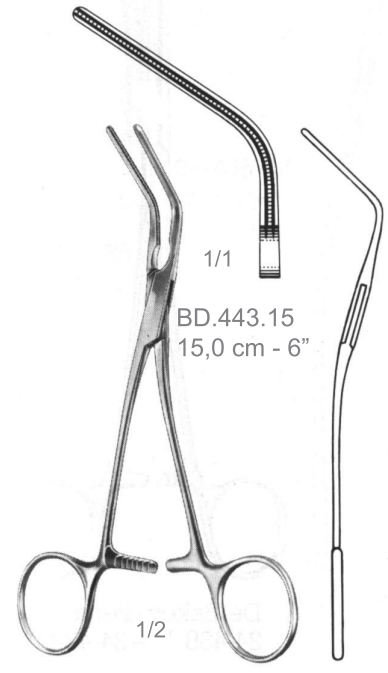
BD



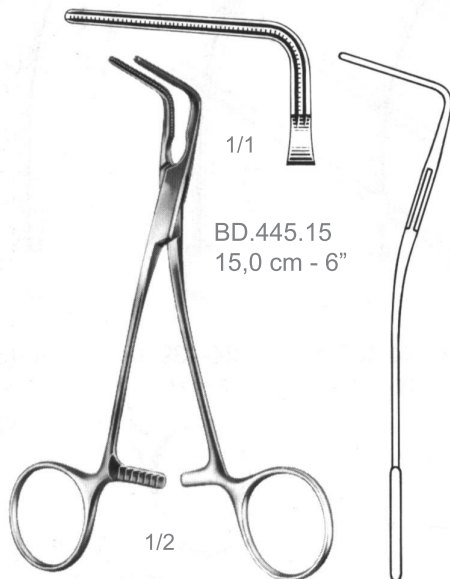
BD.440.17
 De Bakey
 Atrauma Cardiovascular
 Forceps



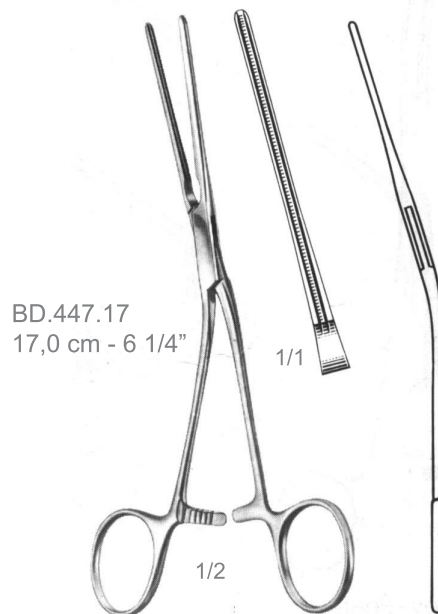
BD.441.16
 De Bakey
 Atrauma Cardiovascular
 Forceps



BD.443.15
 De Bakey
 Atrauma Cardiovascular
 Forceps



BD.445.15
 De Bakey
 Atrauma Cardiovascular
 Forceps



BD.447.17
 De Bakey
 Atrauma Cardiovascular
 Forceps

Atrauma Cardiovascular Forceps

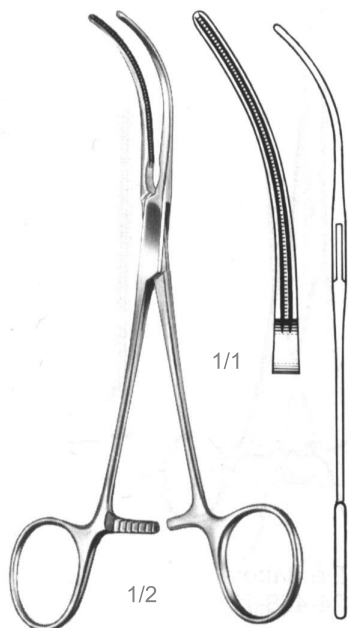
ATRAUMA CARDIOVASCULAR-KLEMMEN · ATRAUMA PINZAS-CLAMPS
CARDIOVASCULARES

Kolpen

CARDIOVASCULAR SURGERY
CARDIOVASCULAR-CHIRURGIE
CIRUGÍA CARDIOVASCULAR

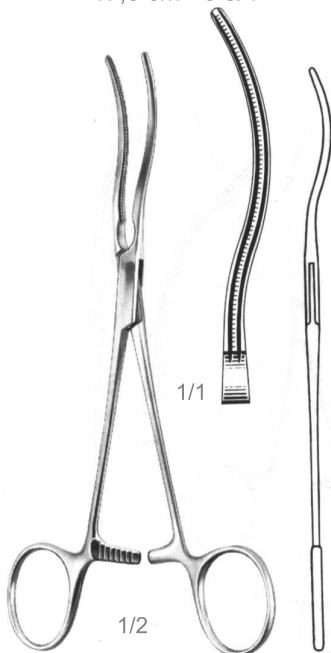
BD

BD.449.17
17,0 cm - 6 3/4"



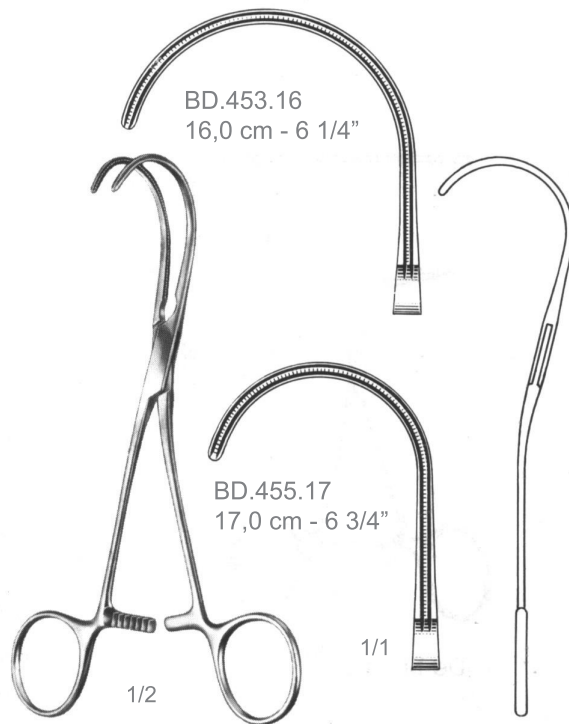
BD.449.17
Glover
Atrauma Cardiovascular
Forceps

BD.451.17
17,0 cm - 6 3/4"



BD.451.17
Atrauma Cardiovascular
Forceps

BD.453.16
16,0 cm - 6 1/4"



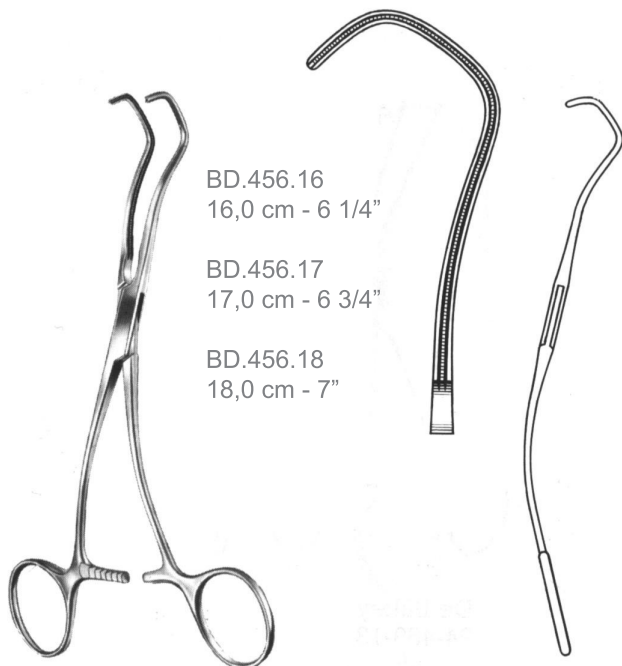
BD.453.16
BD.455.17
Atrauma Cardiovascular
Forceps

BD.455.17
17,0 cm - 6 3/4"

BD.456.16
16,0 cm - 6 1/4"

BD.456.17
17,0 cm - 6 3/4"

BD.456.18
18,0 cm - 7"



BD.456.16/18
Derra
Atrauma Cardiovascular
Forceps

BD.457.17
17,0 cm - 6 3/4"



BD.457.17
Beck
Atrauma Cardiovascular
Forceps

Kolpen

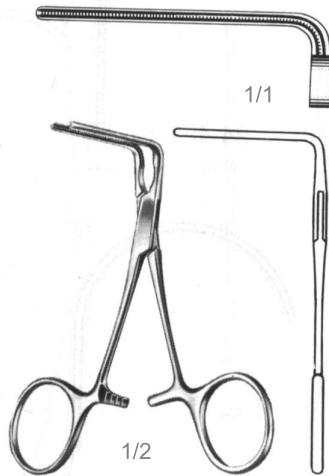
Atrauma Cardiovascular Forceps

CARDIOVASCULAR SURGERY
CARDIOVASCULAR-CHIRURGIE
CIRUGÍA CARDIOVASCULAR

ATRAUMA CARDIOVASCULAR-KLEMMEN - ATRAUMA PINZAS-CLAMPS
CARDIOVASCULARES

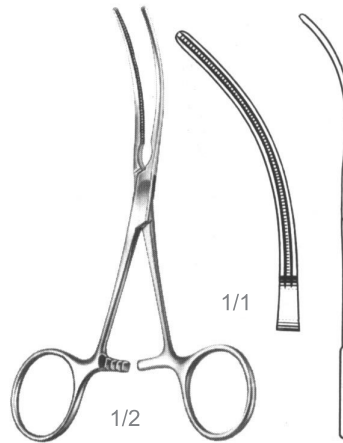
BD

BD.458.10
10,0 cm - 4"



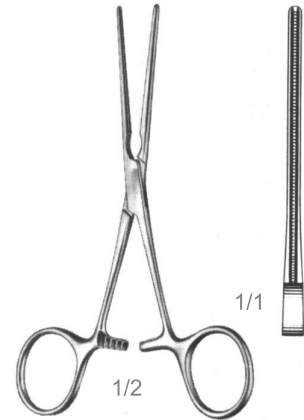
BD.458.10
De Bakey
Atrauma Cardiovascular
Forceps

BD.458.11
11,0 cm - 4 1/4"



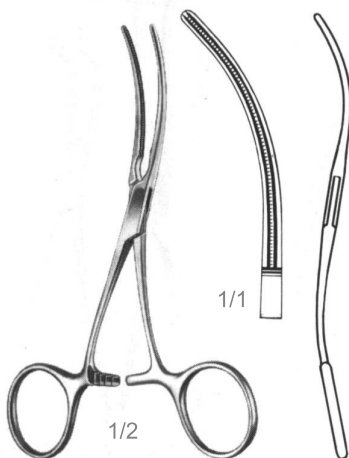
BD.458.11
De Bakey
Atrauma Cardiovascular
Forceps

BD.458.12
12,0 cm - 4 3/4"



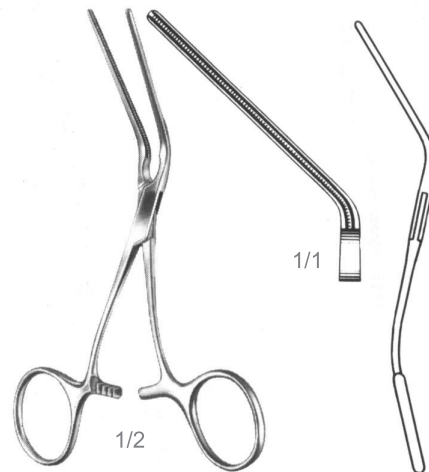
BD.458.12
De Bakey
Atrauma Cardiovascular
Forceps

BD.459.12
12,0 cm - 4 3/4"



BD.459.12
De Bakey
Atrauma Cardiovascular
Forceps

BD.459.13
13,0 cm - 5 1/4"



BD.459.13
De Bakey
Atrauma Cardiovascular
Forceps

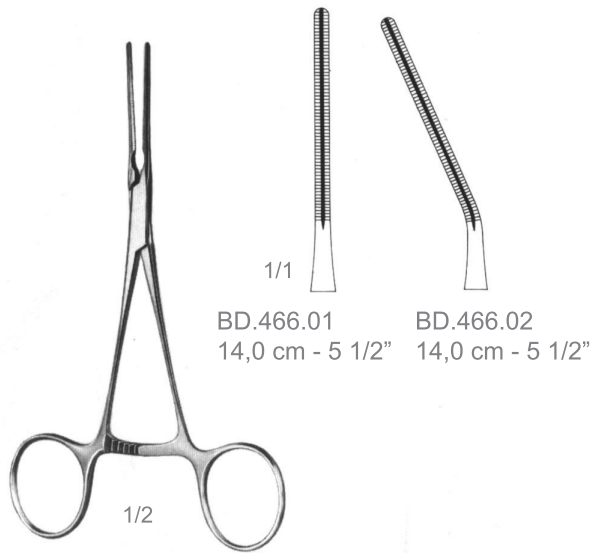
Neonatal and Pediatric Clamps, very delicate Patterns

NEONATAL- UND KINDERKLEMMEN, EXTRAFEINE MODELLE -
PINZAS CLAMPS PARA RECIÉN NACIDOS Y PEDIÁTRICOS,
MODELOS MUY DELICADOS

Kolpen

CARDIOVASCULAR SURGERY
CARDIOVASCULAR-CHIRURGIE
CIRUGÍA CARDIOVASCULAR

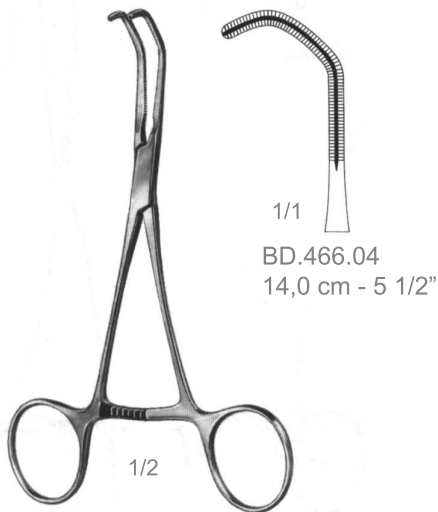
BD



BD.466.01/02
Cooley
Neonatal and Pediatric
Clamps



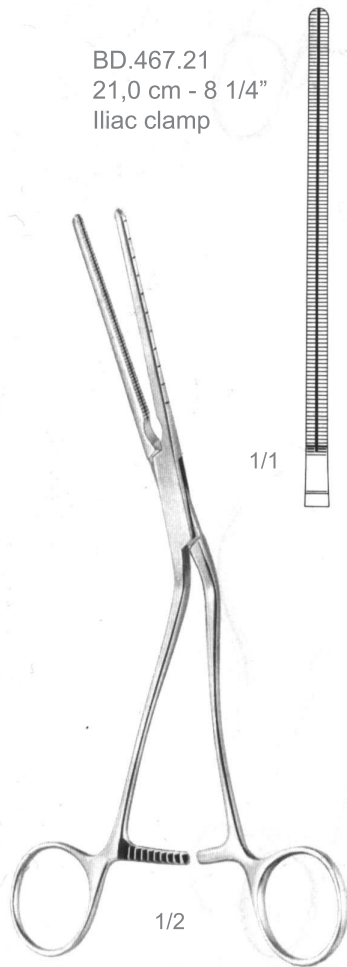
BD.466.03
Cooley
Neonatal and Pediatric
Clamps



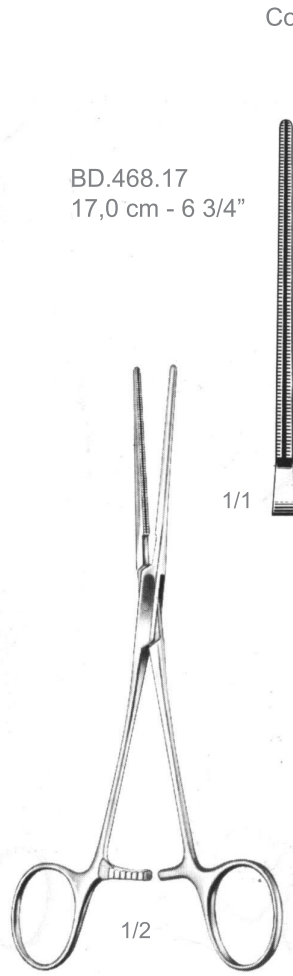
BD.466.04
Cooley
Neonatal and Pediatric
Clamps



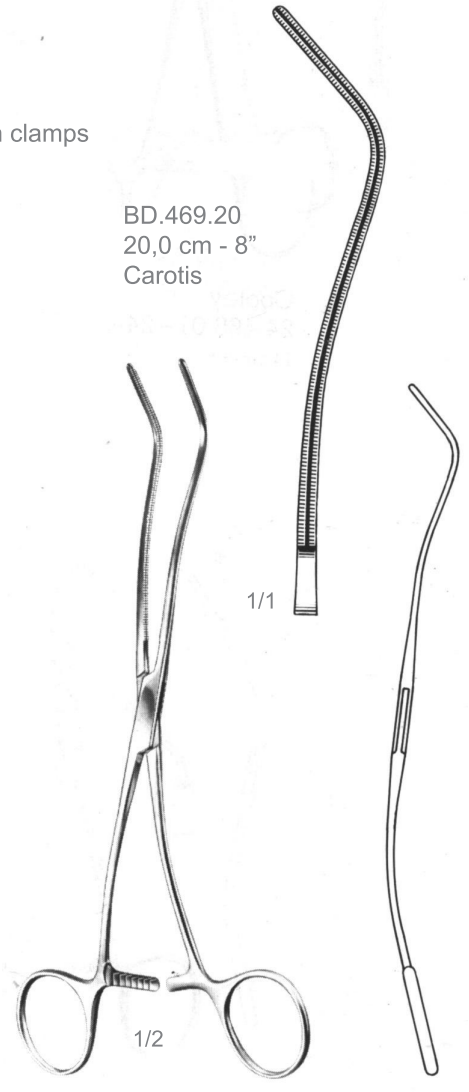
BD.466.05
Cooley
Neonatal and Pediatric
Clamps



BD.467.21
Cooley
Atrauma Cardiovascular
Forceps



BD.468.17
Cooley
Atrauma Cardiovascular
Forceps



BD.469.20
Cooley
Atrauma Cardiovascular
Forceps

Atrauma Cardiovascular Forceps

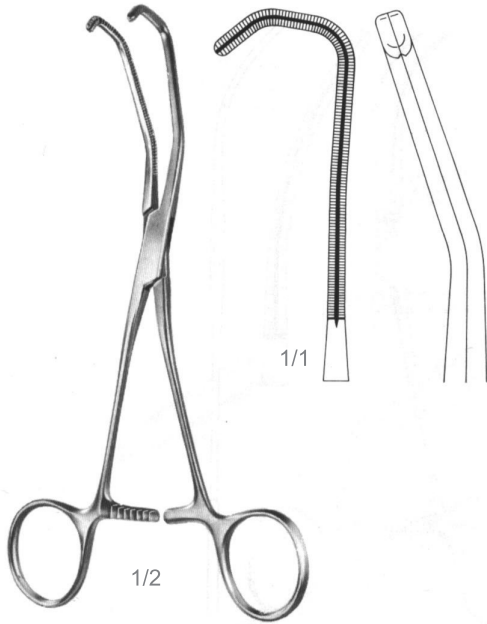
ATRAUMA CARDIOVASCULAR-KLEMMEN - ATRAUMA PINZAS-CLAMPS
 CARDIOVASCULARES

Kolpen

CARDIOVASCULAR SURGERY
 CARDIOVASCULAR-CHIRURGIE
 CIRUGÍA CARDIOVASCULAR

BD

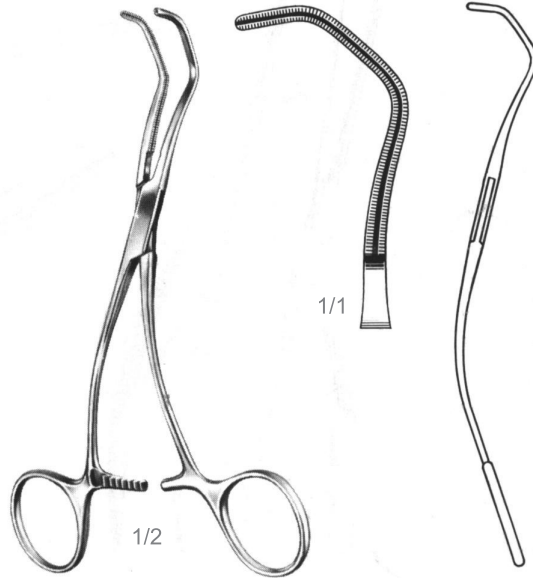
BD.470.17
 17,0 cm - 6 3/4"



BD.470.17

Cooley
 Atrauma Cardiovascular
 Forceps

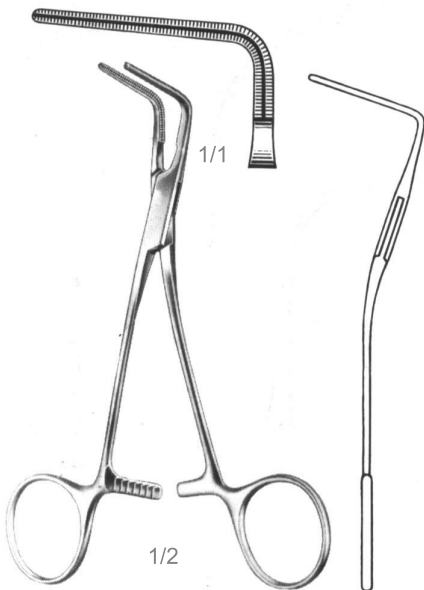
BD.471.16
 16,0 cm - 6 1/4"



BD.471.16

Cooley
 Atrauma Cardiovascular
 Forceps

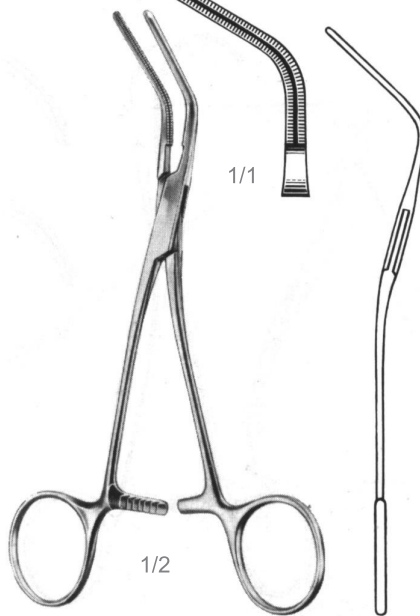
BD.472.15
 15,0 cm - 6"



BD.472.15

Cooley
 Atrauma Cardiovascular
 Forceps

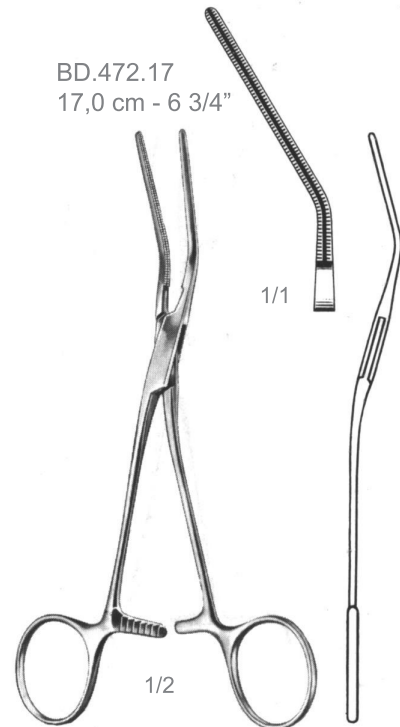
BD.472.16
 15,5 cm - 6 1/8"



BD.472.16

Cooley
 Atrauma Cardiovascular
 Forceps

BD.472.17
 17,0 cm - 6 3/4"

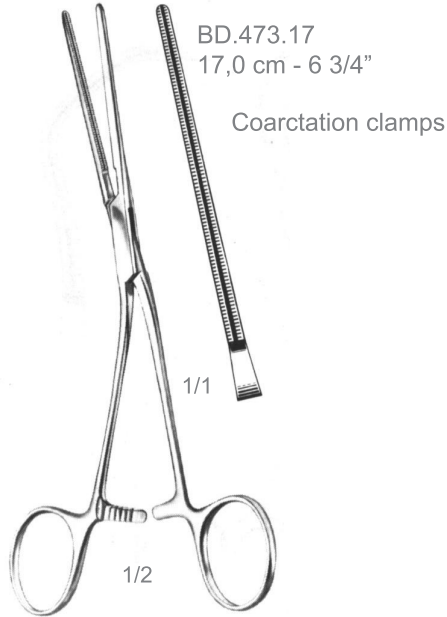


BD.472.17

Cooley
 Atrauma Cardiovascular
 Forceps

Coarctation clamps

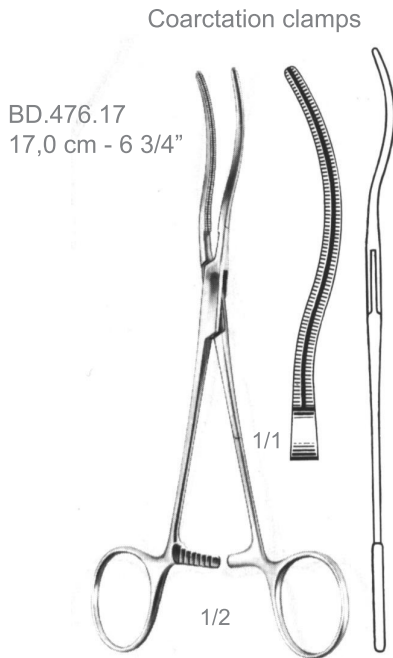
BD



BD.473.17
 Cooley
 Atrauma Cardiovascular
 Forceps

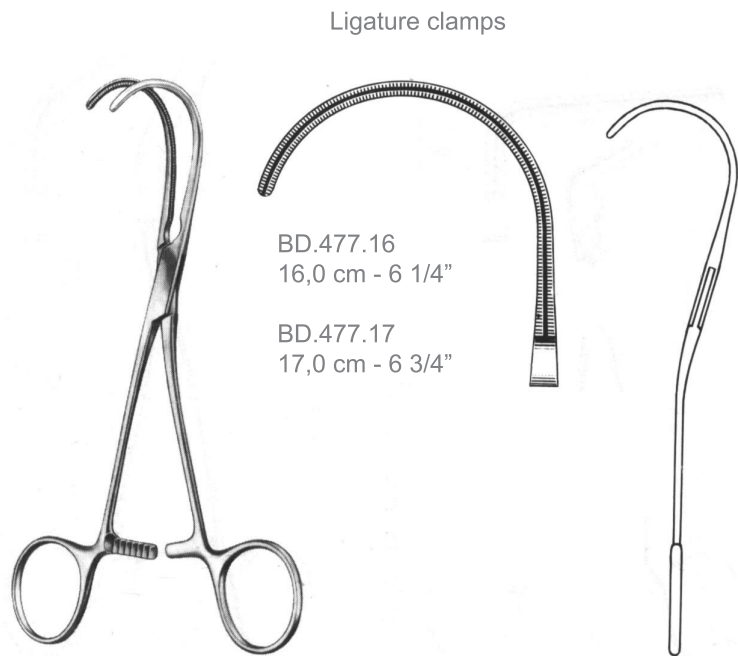


BD.474.17
 Cooley
 Atrauma Cardiovascular
 Forceps



BD.476.17
 17,0 cm - 6 3/4"

BD.476.17
 Cooley
 Atrauma Cardiovascular
 Forceps



BD.477.16
 16,0 cm - 6 1/4"

BD.477.17
 17,0 cm - 6 3/4"

BD.477.16/17
 Cooley
 Atrauma Cardiovascular
 Forceps

Dilators

DILATATOREN - DILATADORES

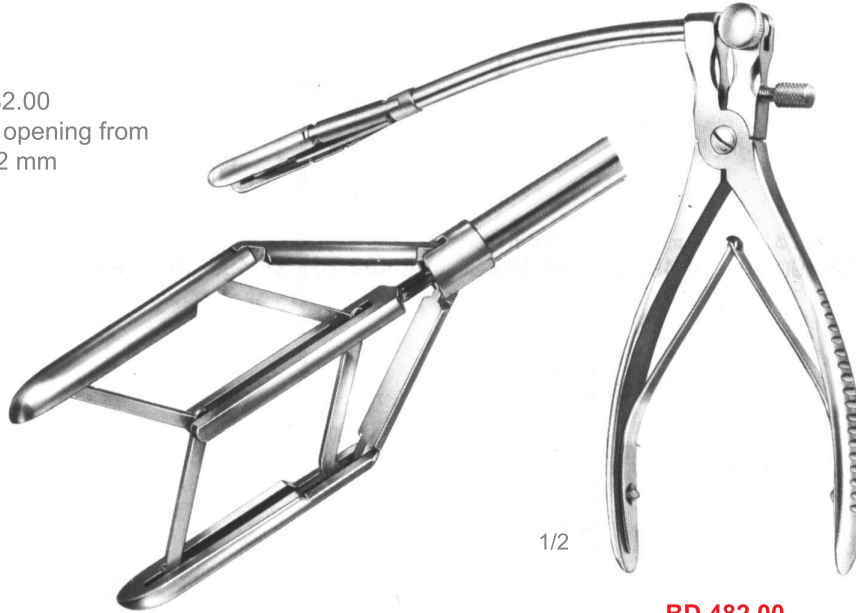
Kolpen

CARDIOVASCULAR SURGERY
CARDIOVASCULAR-CHIRURGIE
CIRUGÍA CARDIOVASCULAR

BD

For mitral valve

BD.482.00
Blade opening from
8 to 42 mm

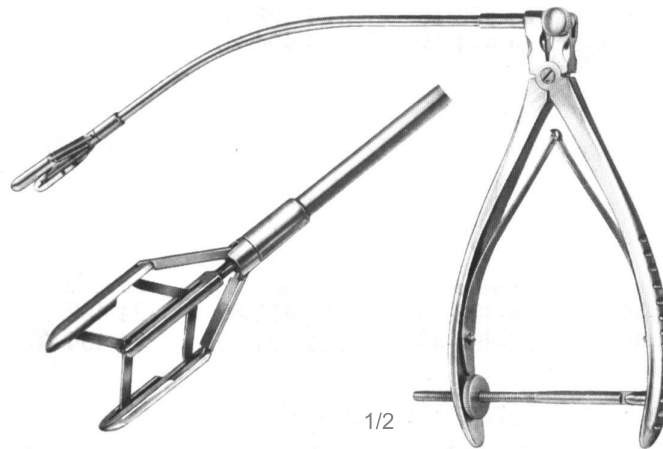


BD.482.00

Tubbs
Dilators

For mitral valve (Pediatric)

BD.484.00
Blade opening from
8 to 15 mm



BD.484.00

Cooley
Dilators

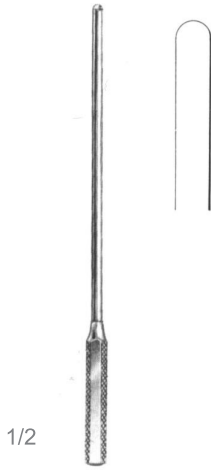
Kolpen

Vascular Dilators

CARDIOVASCULAR SURGERY
CARDIOVASCULAR-CHIRURGIE
CIRUGÍA CARDIOVASCULAR

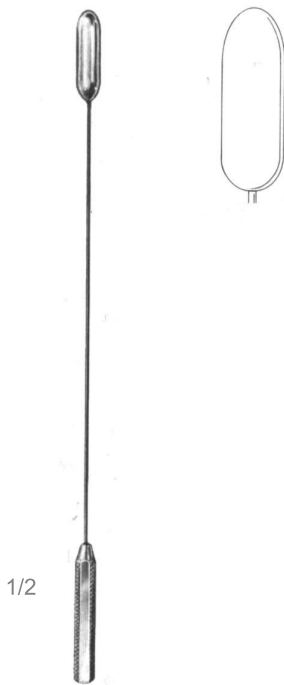
GEFÄß-DILATATOREN - DILATADORES VASCULARES

BD



BD.490.05/50
Cooley
Vascular Dilators

BD.490.05	13,0 cm - 5"	0,5 mm Ø
BD.490.10	13,0 cm - 5"	1,0 mm Ø
BD.490.15	13,0 cm - 5"	1,5 mm Ø
BD.490.20	13,0 cm - 5"	2,0 mm Ø
BD.490.25	13,0 cm - 5"	2,5 mm Ø
BD.490.30	13,0 cm - 5"	3,0 mm Ø
BD.490.40	13,0 cm - 5"	4,0 mm Ø
BD.490.50	13,0 cm - 5"	5,0 mm Ø



BD.492.05/90
BD.494.05/90
De Bakey
Vascular Dilators

malleable

BD.492.05	19,0 cm - 7 1/2"	0,5 mm Ø
BD.492.10	19,0 cm - 7 1/2"	1,0 mm Ø
BD.492.15	19,0 cm - 7 1/2"	1,5 mm Ø
BD.492.20	19,0 cm - 7 1/2"	2,0 mm Ø
BD.492.25	19,0 cm - 7 1/2"	2,5 mm Ø
BD.492.30	19,0 cm - 7 1/2"	3,0 mm Ø
BD.492.35	19,0 cm - 7 1/2"	3,5 mm Ø
BD.492.40	19,0 cm - 7 1/2"	4,0 mm Ø
BD.492.45	19,0 cm - 7 1/2"	4,5 mm Ø
BD.492.50	19,0 cm - 7 1/2"	5,0 mm Ø
BD.492.70	19,0 cm - 7 1/2"	7,0 mm Ø
BD.492.90	19,0 cm - 7 1/2"	9,0 mm Ø

BD.494.05	35,0 cm - 14"	0,5 mm Ø
BD.494.10	35,0 cm - 14"	1,0 mm Ø
BD.494.15	35,0 cm - 14"	1,5 mm Ø
BD.494.20	35,0 cm - 14"	2,0 mm Ø
BD.494.25	35,0 cm - 14"	2,5 mm Ø
BD.494.30	35,0 cm - 14"	3,0 mm Ø
BD.494.35	35,0 cm - 14"	3,5 mm Ø
BD.494.40	35,0 cm - 14"	4,0 mm Ø
BD.494.45	35,0 cm - 14"	4,5 mm Ø
BD.494.50	35,0 cm - 14"	5,0 mm Ø
BD.494.70	35,0 cm - 14"	7,0 mm Ø
BD.494.90	35,0 cm - 14"	9,0 mm Ø

Tunneling Instrument

TUNNELIER-INSTRUMENT - INSTRUMENTO PARA TUNELEAR

Kolpen

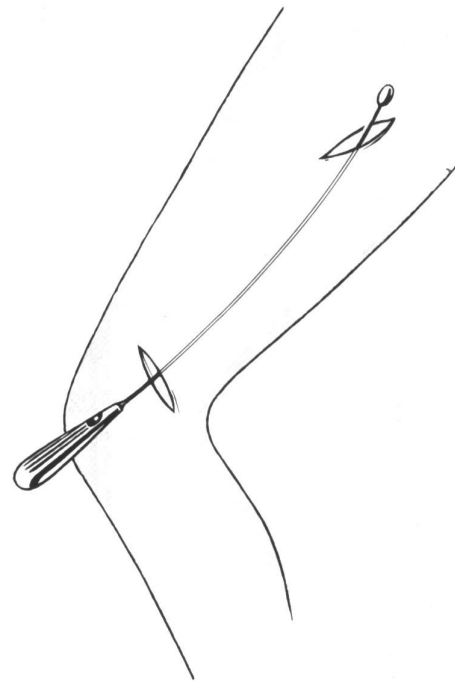
CARDIOVASCULAR SURGERY
CARDIOVASCULAR-CHIRURGIE
CIRUGÍA CARDIOVASCULAR

BD



BD.500.00
50 cm
malleable

BD.500.00
De Bakey
Tunneling Instrument



Kolpen

Tunneling Set

CARDIOVASCULAR SURGERY
 CARDIOVASCULAR-CHIRURGIE
 CIRUGÍA CARDIOVASCULAR

TUNNELIER-SATZ - SET DE TUNELEAR

BD



BD.502.00
 Tunneling Set
 complete



BD.502.56
 6 mm



BD.502.58
 8 mm



BD.502.60
 10 mm



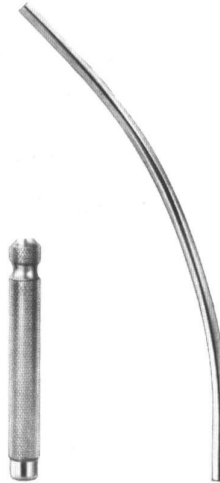
BD.502.62
 12 mm



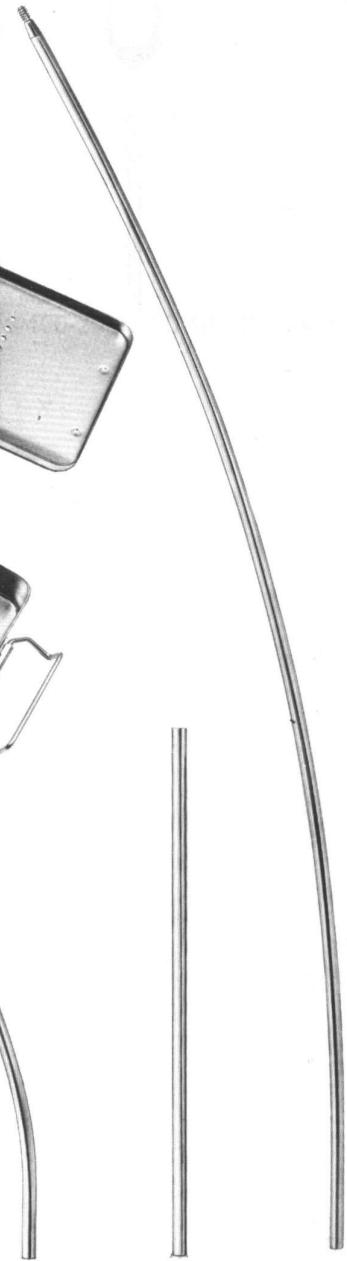
BD.502.65



BD.502.70



BD.502.01



BD.502.05
 22,5 cm

BD.502.06
 22,5 cm

BD.502.11
 54 cm

- BD.502.00 - Martin Tunneling Set, complete
- BD.502.01 - Universal Handle (2 x)
- BD.502.00 - Tunneling shaft, curved, 225 mm
- BD.502.00 - Tunneling shaft, straight, 225 mm
- BD.502.00 - Tunneling shaft, curved, 540 mm
- BD.502.00 - Bullet tip 6 mm (2 x)
- BD.502.00 - Bullet tip 8 mm (2 x)

- BD.502.00 - Bullet tip 10 mm (2 x)
- BD.502.00 - Bullet tip 12 mm (2 x)
- BD.502.00 - Vein tip
- BD.502.00 - Luer Adaptor
- BD.502.00 - Plate for tips only
- BD.502.00 - Sterilising case 550 x 115 x 35 mm

Fasciotomy Knife, Fasciotomy Spatulas

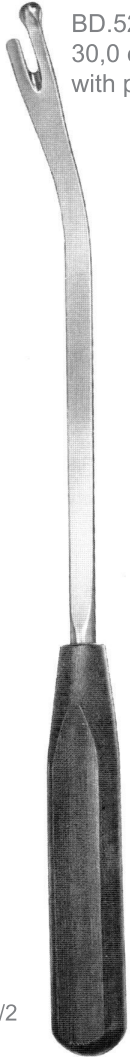
FASZIOTOMIEMESSER, FASZIOTOMIESPATEL - CUCHILLO PARA FASCIOTOMÍA, ESPÁTULAS PARA FASCIOTOMÍA

Kolpen

CARDIOVASCULAR SURGERY
CARDIOVASCULAR-CHIRURGIE
CIRUGÍA CARDIOVASCULAR

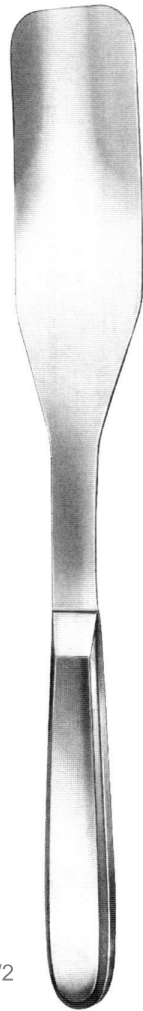
BD

BD.521.01
30,0 cm - 11 3/4"
with plastic handle



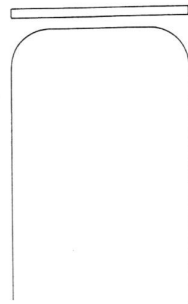
1/2

BD.521.01
Hach
Fasciotomy Knife,
Fasciotomy Spatulas

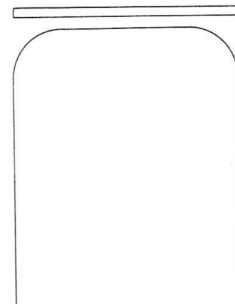


1/2

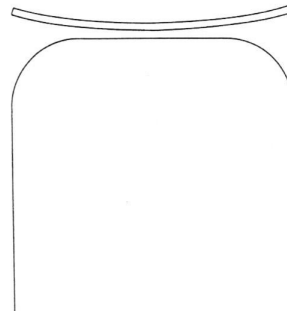
BD.526.25/52
Hach
Fasciotomy Knife,
Fasciotomy Spatulas



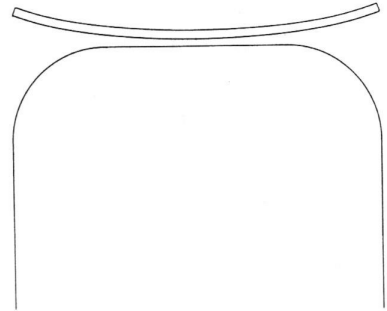
BD.526.25
30,0 cm - 11 3/4"
25 mm



BD.526.32
30,0 cm - 11 3/4"
32 mm

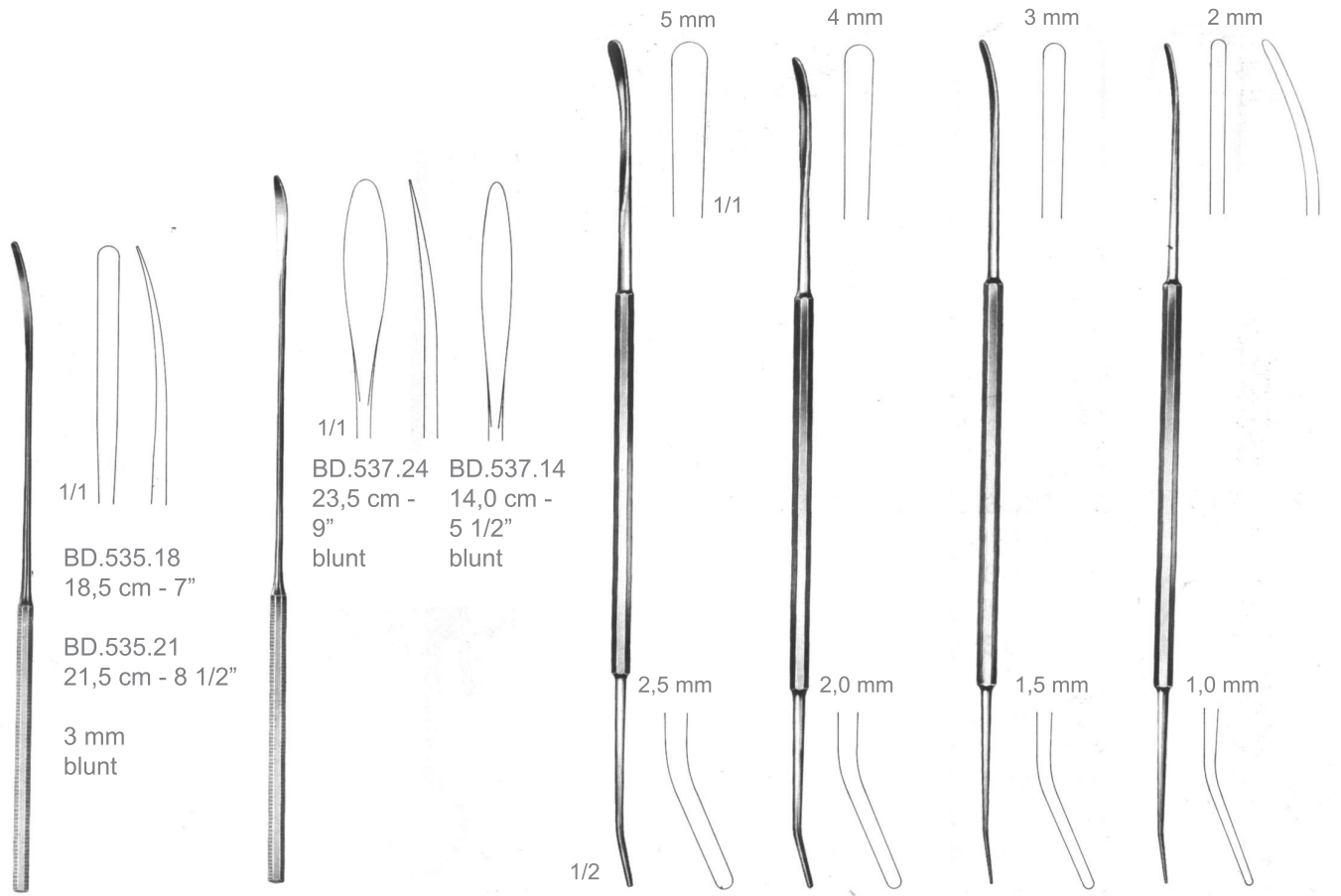


BD.526.40
30,0 cm - 11 3/4"
40 mm



BD.526.52
30,0 cm - 11 3/4"
52 mm

BD



BD.535.18/21
 Endarterectomy

BD.537.14/24
 Endarterectomy

BD.539.01
 Robb
 Endarterectomy

BD.539.02
 Robb
 Endarterectomy

BD.539.03
 Robb
 Endarterectomy

BD.539.04
 Robb
 Endarterectomy

BD.539.01
 24,0 cm - 10"

BD.539.02
 24,0 cm - 10"

BD.539.03
 24,0 cm - 10"

BD.539.04
 24,0 cm - 10"

Intima Spatula
 and dilator

Intima Spatula
 and dilator

Intima Spatula
 and dilator

Intima Spatula
 and dilator

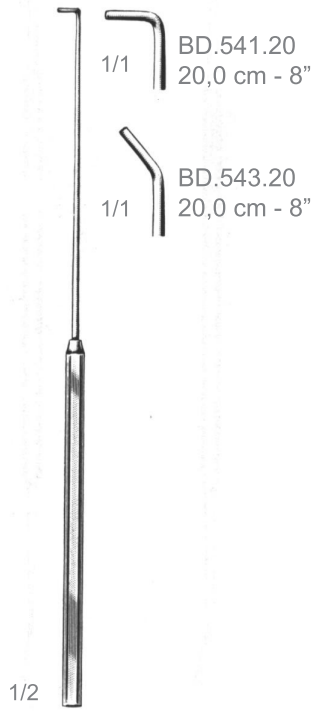
Nerve Hooks, Tourniquets

NERVHÄKCHEN, TOURNIQUETS - SEPARADORES DE NERVIOS, TORNIQUETES

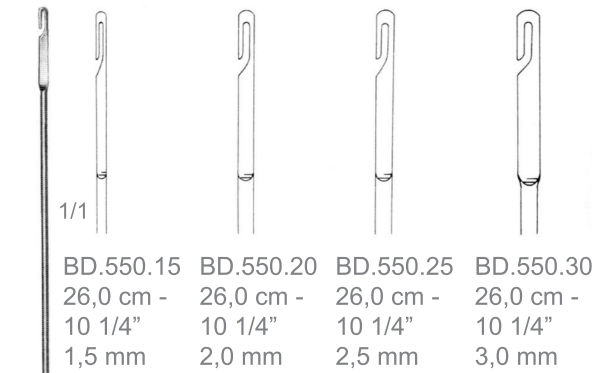
Kolpen

CARDIOVASCULAR SURGERY
 CARDIOVASCULAR-CHIRURGIE
 CIRUGÍA CARDIOVASCULAR

BD



BD.541.20
BD.543.20
 Crile
 Nerv hooks,
 Tourniquets



Ligature catchers



BD.550.15/30
 Nerv hooks,
 Tourniquets

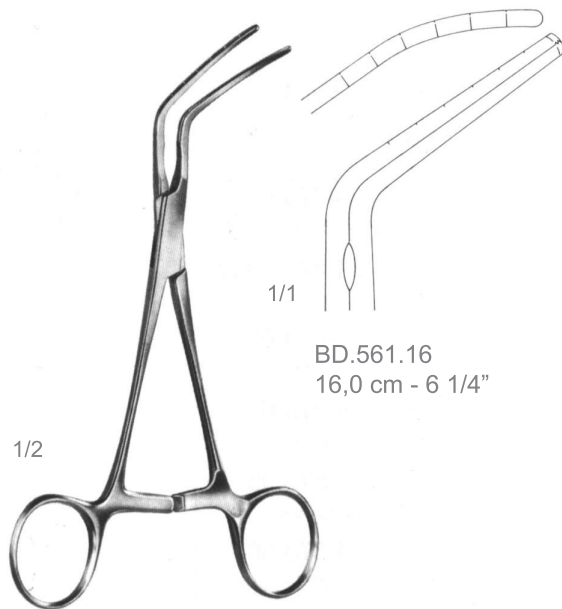


BD.556.33
BD.558.33
 Rumel-Belmont
 Nerv hooks,
 Tourniquets

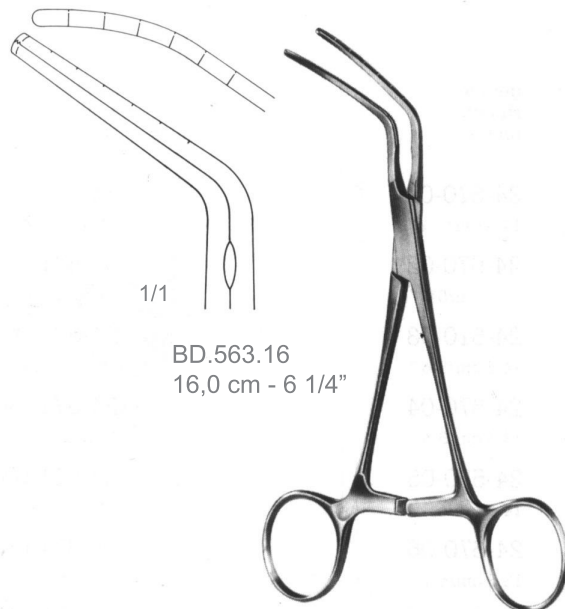
BD



BD.559.15
Subramanian-Miniature
Aortic Clamps



BD.561.16
Subramanian
Aortic Clamps



BD.563.16
Subramanian
Aortic Clamps

Neonatal and Pediatric Clamps, very delicate Patterns

NEONATAL- UND KINDERKLEMMEN, EXTRAFEINE MODELLE -
 PINZAS CLAMPS PARA RECIÉN NACIDOS Y PEDIÁTRICOS,
 MODELOS MUY DELICADOS

Kolpen

CARDIOVASCULAR SURGERY
 CARDIOVASCULAR-CHIRURGIE
 CIRUGÍA CARDIOVASCULAR

BD

BD.466.01/02
 Cooley
 Neonatal and Pediatric
 Clamps

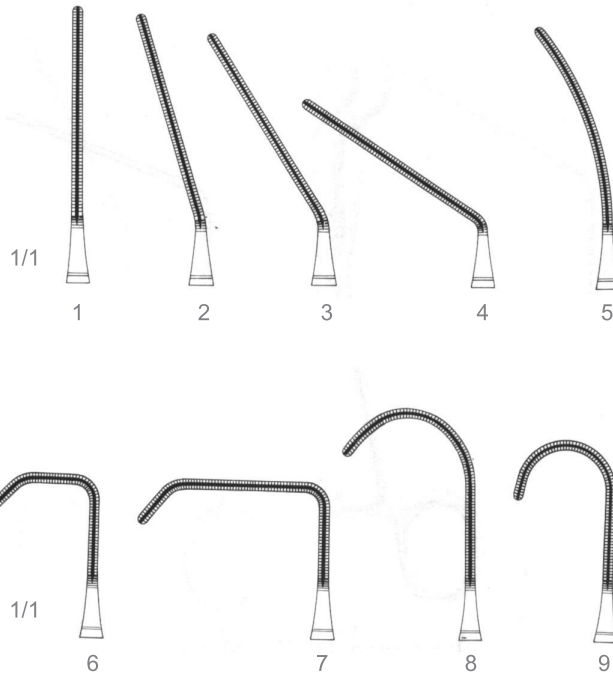


Fig. Straight

- 1 BD.570.01
14,5 cm - 5 3/4"
- 2 BD.570.02
14,5 cm - 5 3/4"
- 3 BD.570.03
14,5 cm - 5 1/2"
- 4 BD.570.04
13,5 cm - 5 1/4"
- 5 BD.570.05
14,0 cm - 5 1/2"
- 6 BD.570.06
13,5 cm - 5 1/4"
- 7 BD.570.07
13,5 cm - 5 1/4"
- 8 BD.570.08
14,0 cm - 5 1/2"
- 9 BD.570.09
13,5 cm - 5 1/4"



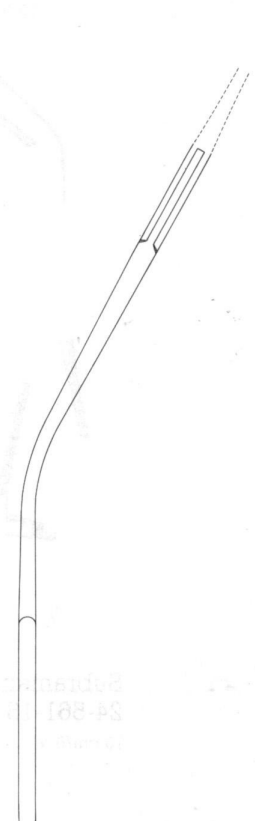
Fig. Angled

- 1 BD.571.01
14,5 cm - 5 3/4"
- 2 BD.571.02
14,5 cm - 5 3/4"
- 3 BD.571.03
14,5 cm - 5 1/2"
- 4 BD.571.04
13,5 cm - 5 1/4"
- 5 BD.571.05
14,0 cm - 5 1/2"
- 6 BD.571.06
13,5 cm - 5 1/4"
- 7 BD.571.07
13,5 cm - 5 1/4"
- 8 BD.571.08
14,0 cm - 5 1/2"
- 9 BD.571.09
13,5 cm - 5 1/4"



Fig. Curved

- 1 BD.573.01
14,5 cm - 5 3/4"
- 2 BD.573.02
14,5 cm - 5 3/4"
- 3 BD.573.03
14,5 cm - 5 1/2"
- 4 BD.573.04
13,5 cm - 5 1/4"
- 5 BD.573.05
14,0 cm - 5 1/2"
- 6 BD.573.06
13,5 cm - 5 1/4"
- 7 BD.573.07
13,5 cm - 5 1/4"
- 8 BD.573.08
14,0 cm - 5 1/2"
- 9 BD.573.09
13,5 cm - 5 1/4"



Kolpen

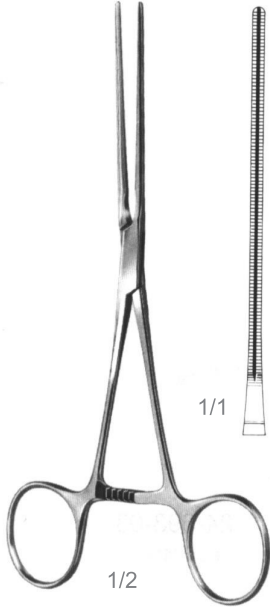
CARDIOVASCULAR SURGERY
CARDIOVASCULAR-CHIRURGIE
CIRUGÍA CARDIOVASCULAR

Atrauma and Pediatric Clamps, very delicate Patterns

ATRAUMA NEONATAL- UND KINDERKLEMMEN, EXTRAFEINE MODELLE -
ATRAUMA PINZAS CLAMPS PARA RECIÉN NACIDOS Y PEDIÁTRICOS,
MODELOS MUY DELICADOS

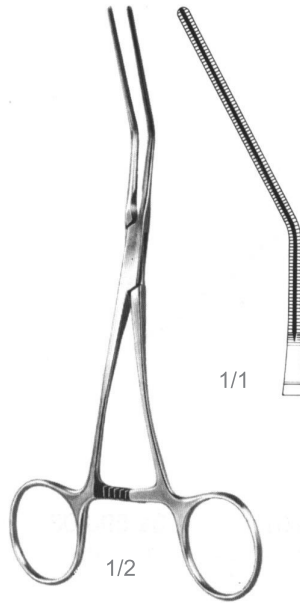
BD

BD.588.16
16,5 cm - 6 1/2"



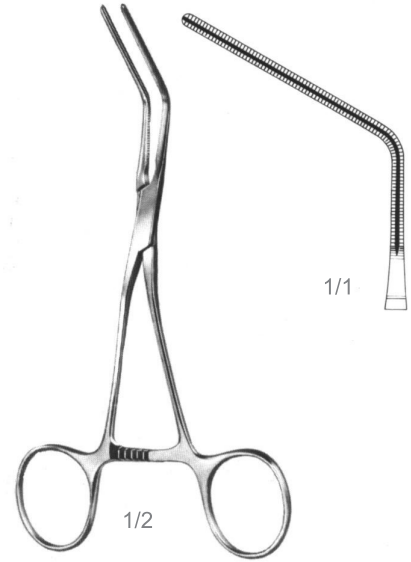
BD.588.16
Atrauma and Pediatric
Clamps

BD.589.16
16,0 cm - 6 1/4"



BD.589.16
Atrauma and Pediatric
Clamps

BD.590.16
15,0 cm - 6"



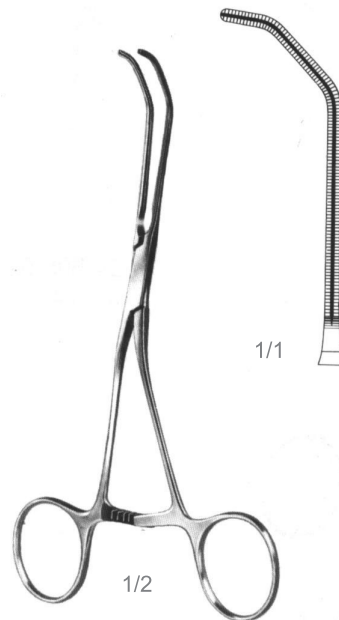
BD.590.16
Atrauma and Pediatric
Clamps

BD.591.15
15,0 cm - 6"



BD.591.15
Atrauma and Pediatric
Clamps

BD.592.16
15,5 cm - 6"



BD.592.16
Atrauma and Pediatric
Clamps

Neonatal Clamps, very delicate Patterns

NEONATAL-KLEMMEN, EXTRAFEINE MODELLE -
PINZAS CLAMPS PARA RECIÉN NACIDOS, MODELOS MUY DELICADOS

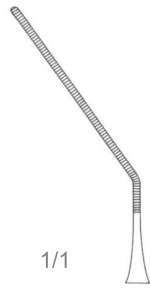
Kolpen

CARDIOVASCULAR SURGERY
CARDIOVASCULAR-CHIRURGIE
CIRUGÍA CARDIOVASCULAR

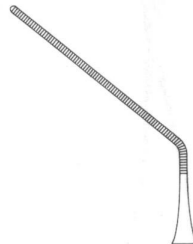
BD



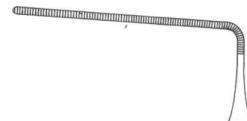
BD.593.01/03
BD.595.01/03
BD.597.12
Castaneda
Neonatal Clamps



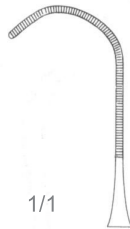
BD.593.01
13,0 cm - 5"



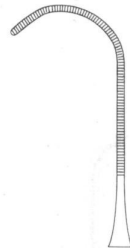
BD.593.02
13,0 cm - 5"



BD.593.03
11,0 cm - 4 1/2"



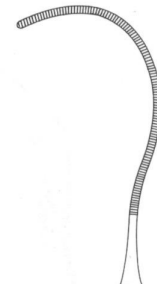
BD.595.01
12,0 cm - 4 3/4"



BD.595.02
12,0 cm - 4 1/2"



BD.595.03
12,0 cm - 4 3/4"



BD.597.12
12,0 cm - 4 3/4"

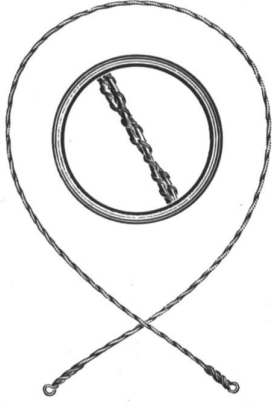
Kolpen

Instruments for Cranial Opening

CARDIOVASCULAR SURGERY
 CARDIOVASCULAR-CHIRURGIE
 CIRUGÍA CARDIOVASCULAR

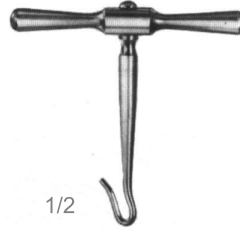
INSTRUMENTE ZUR SCHÄDELÖFFNUNG - INSTRUMENTOS PARA APERTURA
 CRANEANA

BD



BD.600.30 30,0 cm - 12"
 BD.600.40 40,0 cm - 16"
 BD.600.50 50,0 cm - 20"
 BD.600.60 60,0 cm - 24"
 BD.600.70 70,0 cm - 28"

BD.600.30/70
 Olivecrona
 Instruments for Cranial
 Opening



BD.602.01
 Instruments for Cranial
 Opening



BD.618.33
 33,0 cm - 13"

BD.618.33
 Martel
 Instruments for Cranial
 Opening



BD.654.20
 20,0 cm - 8"

BD.654.20
 Dahlgren
 Instruments for Cranial
 Opening



BD.658.21
 21,0 cm - 8 1/4"

BD.658.21
 De Vilbiss
 Instruments for Cranial
 Opening



BD.659.22
 22,5 cm - 9"
 Cranial Punch

BD.659.22
 Cone
 Instruments for Cranial
 Opening

Cervical Traction Tongs

SCHÄDELHALTER - PINZAS DE TRACCIÓN CRANIAL

Kolpen

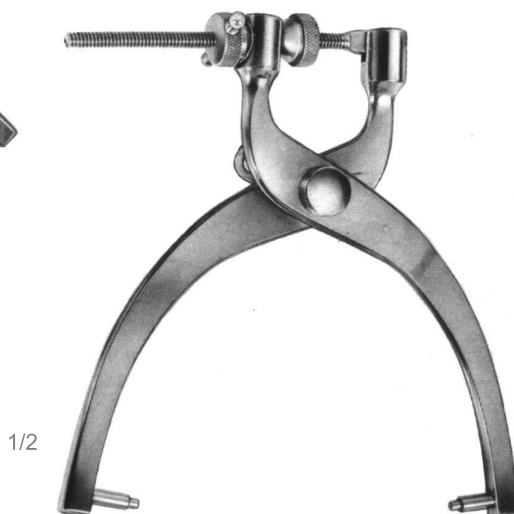
CARDIOVASCULAR SURGERY
 CARDIOVASCULAR-CHIRURGIE
 CIRUGÍA CARDIOVASCULAR

BD



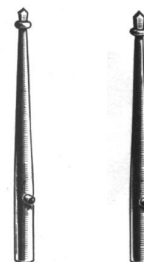
1/2

BD.641.01
 Crutchfield
 Cervical Traction Tongs



1/2

BD.641.02
 Crutchfield
 Cervical Traction Tongs



BD.641.04/05
 Crutchfield
 Cervical Traction Tongs

BD.641.04 3,5 mm Ø
 BD.641.05 5,0 mm Ø



1/2

BD.643.01/10
 Cervical Traction Tongs

- BD.641.01 -Cervical Traction Tongs, small size
- BD.641.02 -Cervical Traction Tongs, medium size
- BD.641.04
- BD.641.05 -Drill Points for Cervical Traction Tongs
- BD.643.01 -Cervical Traction Tongs, for extension of the neck vertebrae, large size, pins adjustable hence no initial drilling.
- BD.643.10 -Spare Pin only

Kolpen

Clips and Applying Forceps

CARDIOVASCULAR SURGERY
CARDIOVASCULAR-CHIRURGIE
CIRUGÍA CARDIOVASCULAR

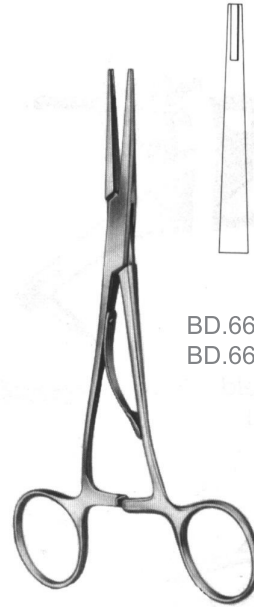
CLIPS UND ANLEGEZANGEN - GRAPAS Y PINZAS APLICADORAS

BD



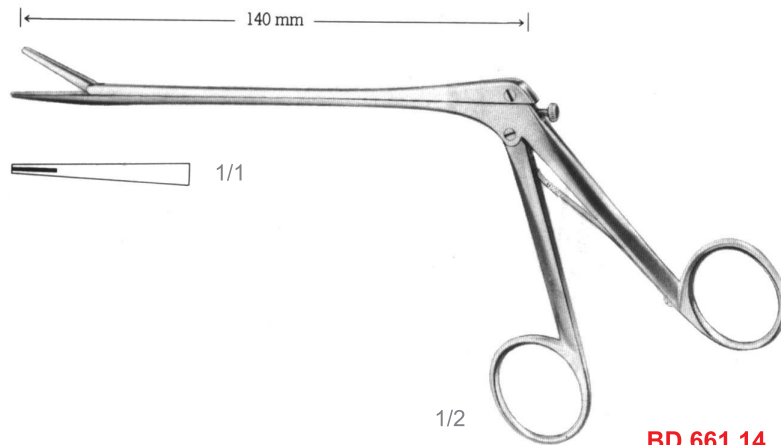
BD.663.15 15,0 cm - 6"
BD.663.19 19,0 cm - 7 1/2"

BD.663.15/19
McKenzie
Clips and Applying
Forceps



BD.665.15 15,0 cm - 6"
BD.665.19 19,0 cm - 7 1/2"

BD.665.15/19
McKenzie
Clips and Applying
Forceps



1/2

BD.661.14
Olivecrona-Toennis
(Scoville)
Clips and Applying
Forceps

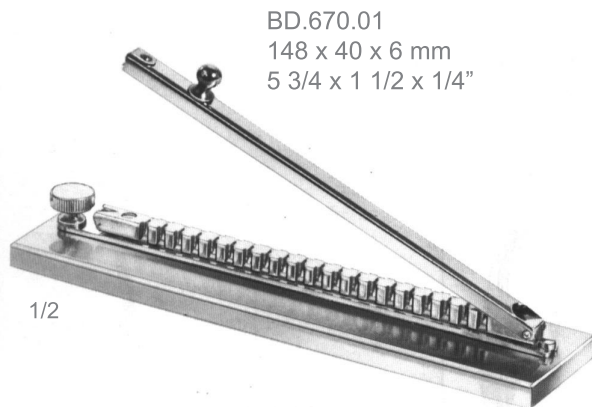
Clips and Applying Forceps

CLIPS UND ANLEGEZANGEN - GRAPAS Y PINZAS APLICADORAS

Kolpen

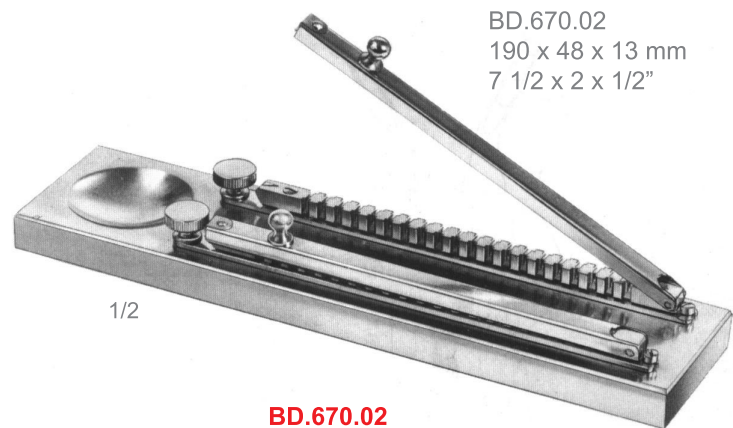
CARDIOVASCULAR SURGERY
CARDIOVASCULAR-CHIRURGIE
CIRUGÍA CARDIOVASCULAR

BD



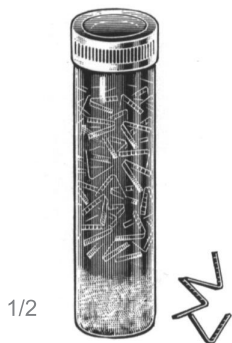
BD.670.01
148 x 40 x 6 mm
5 3/4 x 1 1/2 x 1/4"

BD.670.01
Clips and Applying
Forceps



BD.670.02
190 x 48 x 13 mm
7 1/2 x 2 x 1/2"

BD.670.02
McKenzie
Clips and Applying
Forceps



BD.672.00
Clips and Applying
Forceps



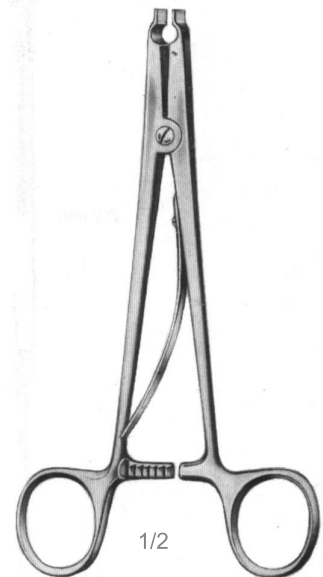
BD.673.00
McKenzie
Clips and Applying
Forceps



BD.674.00
Kölner Sparklammern
Clips and Applying
Forceps



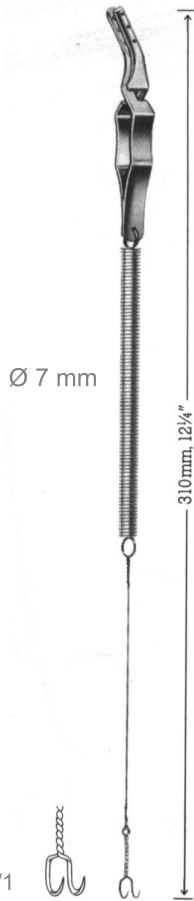
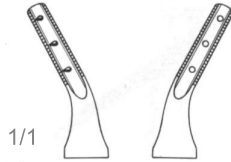
BD.675.00
Raney
Clips and Applying
Forceps



BD.676.00
Raney
Clips and Applying
Forceps

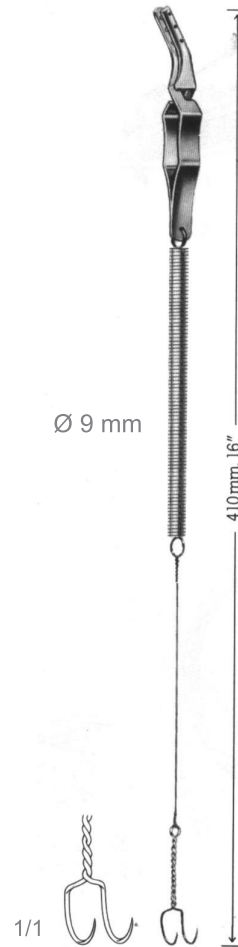
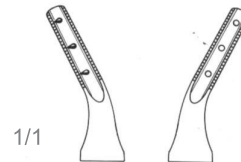
- BD.670.01 -Brain Clip Carrier, with 1 clip holding rack
- BD.670.02 -Ditto, with 2 clip holding rack and sliding covers
- BD.672.00 -Silver Brain Clips in plastic vial, comprising 100 pieces
- BD.673.00 -Silver Wire in coils of 2.5 g (0.09 oz)
- BD.675.00 -Scalp Hemostasis Clip
- BD.676.00 -Applying and Removing Forceps for Scalp Hemostasis Clips

BD.678.01
31,0 cm - 12 1/4"



BD.678.01
Yasargil
Galea Hooks

BD.678.02
41,0 cm - 16"



BD.678.02
Yasargil
Galea Hooks

Dura Dissectors

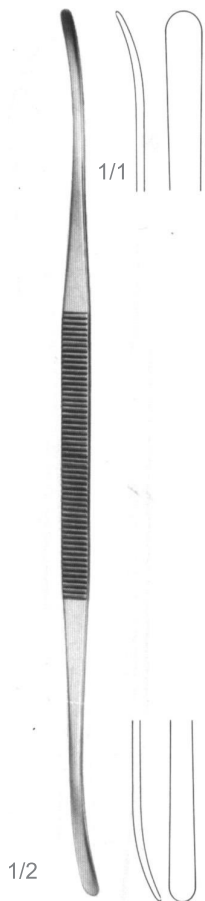
DURA-DISSEKTOREN - DISECADORES PARA DURA-MADRE

Kolpen

CARDIOVASCULAR SURGERY
CARDIOVASCULAR-CHIRURGIE
CIRUGÍA CARDIOVASCULAR

BD

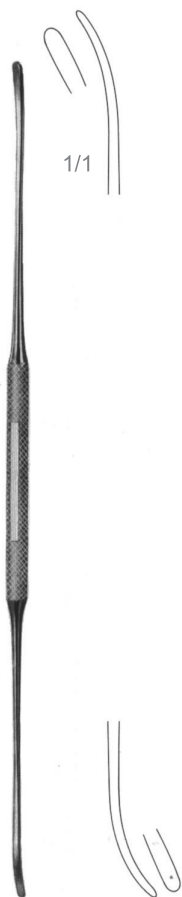
BD.680.25
25,0 cm - 10"



BD.680.25
Toennis
Dura Dissectors

BD.682.18
18,0 cm - 7"

BD.682.24
24,0 cm - 9 1/2"



BD.682.18/24
Olivecrona
Dura Dissectors

BD.684.19
19,5 cm - 7 3/4"

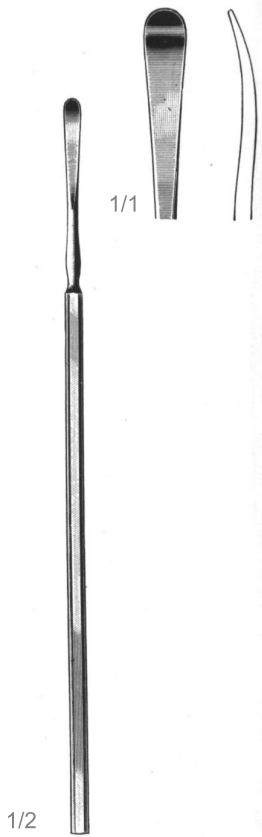
BD.684.24
24,0 cm - 9 1/2"



BD.684.19/24
Olivecrona
Dura Dissectors

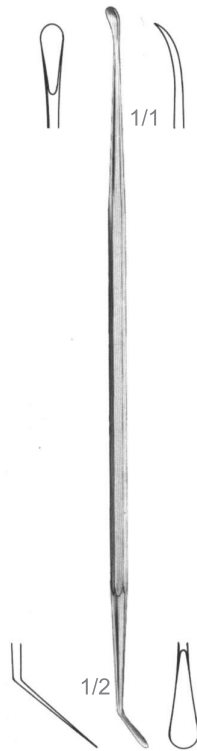
BD

BD.685.21
21,0 cm - 8 1/4"



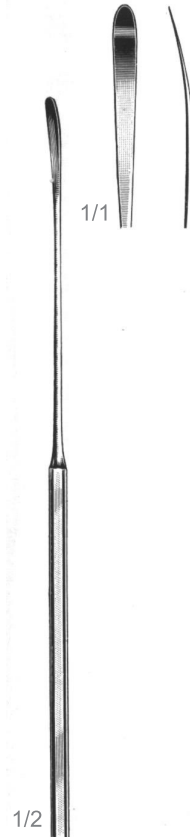
BD.685.21
Sachs
Dura Dissectors

BD.686.21
21,0 cm - 8 1/4"



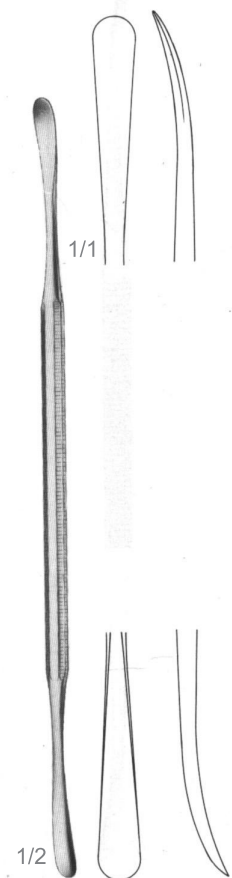
BD.686.21
Milligan
Dura Dissectors

BD.687.21
21,0 cm - 8 1/4"



BD.687.21
Sachs
Dura Dissectors

BD.688.22
22,0 cm - 8 3/4"



BD.688.22
Dura Dissectors

Dura Dissectors

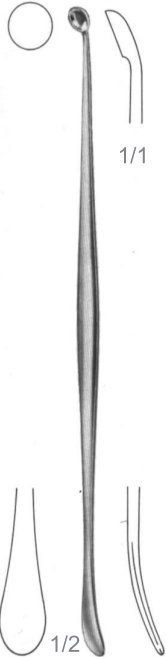
DURA-DISSEKTOREN - DISECADORES PARA DURA-MADRE

Kolpen

CARDIOVASCULAR SURGERY
CARDIOVASCULAR-CHIRURGIE
CIRUGÍA CARDIOVASCULAR

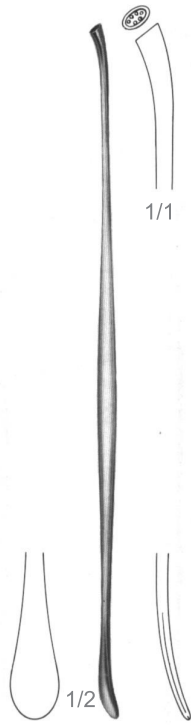
BD

BD.690.01
17,5 cm - 7"



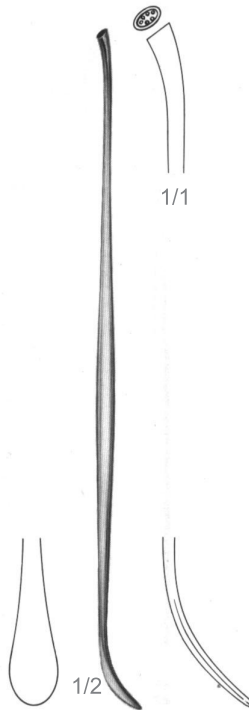
BD.690.01
Penfield
Dura Dissectors

BD.690.02
19,5 cm - 7 3/4"



BD.690.02
Penfield
Dura Dissectors

BD.690.03
19,5 cm - 7 3/4"



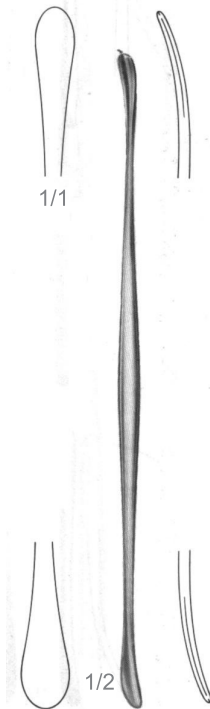
BD.690.03
Penfield
Dura Dissectors

BD.690.04
21,5 cm - 8 1/2"



BD.690.04
Penfield
Dura Dissectors

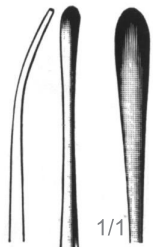
BD.690.05
29,0 cm - 11 1/2"



BD.690.05
Penfield
Dura Dissectors

BD

BD.691.24
24,5 cm - 9 3/4"



BD.691.24
Davis
Dura Dissectors

BD.693.01
15,0 cm - 6"



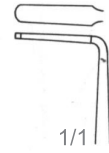
BD.693.01
Frazier
Dura Dissectors

BD.693.02
15,0 cm - 6"



BD.693.02
Hoen
Dura Dissectors

BD.693.03
15,0 cm - 6"



BD.693.03
Hoen
Dura Dissectors

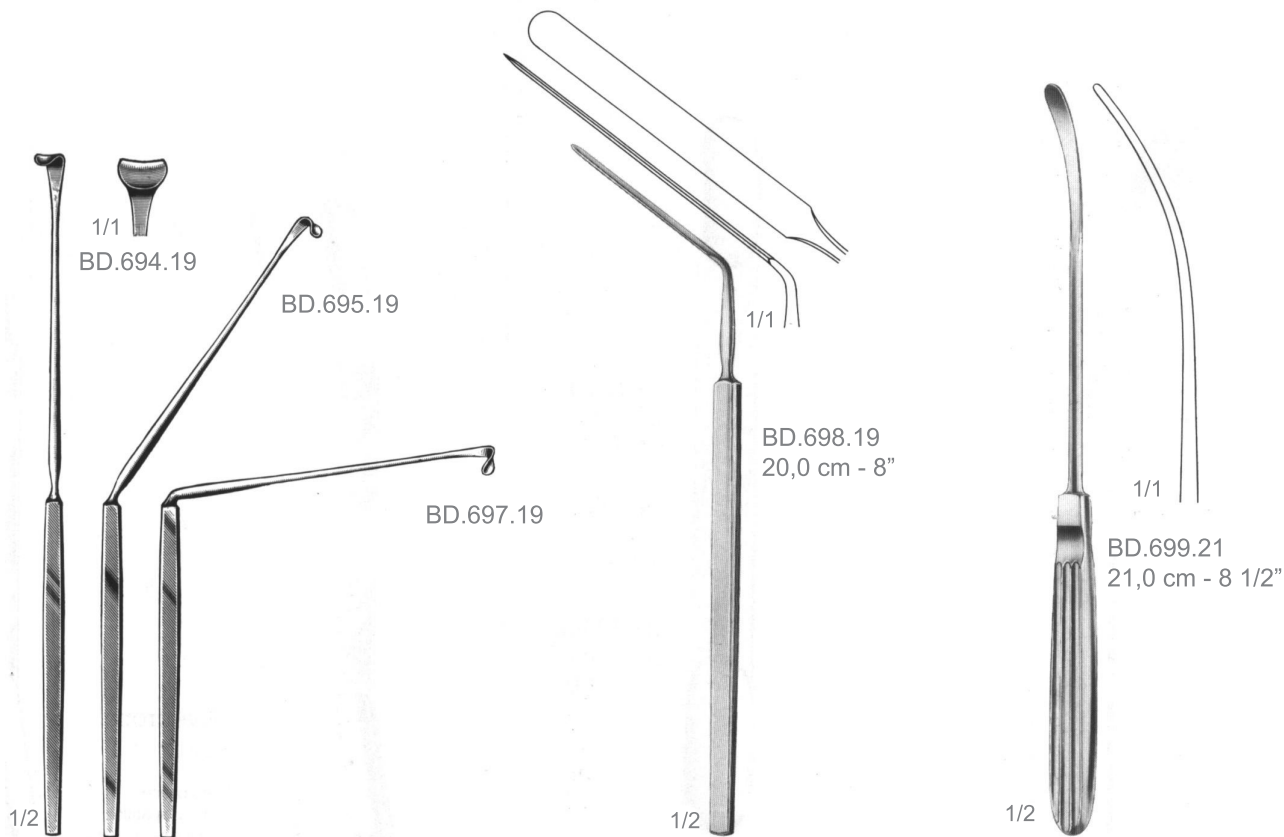
Nerve Root Retractors, Dura Dissectors

NERVWURZELHAKEN, DURA-SEPARATOREN - SEPARADORES DE RAÍZ DE NERVIOS, DESCOLADORES DE DURA-MADRE

Kolpen

CARDIOVASCULAR SURGERY
 CARDIOVASCULAR-CHIRURGIE
 CIRUGÍA CARDIOVASCULAR

BD



BD.694.19
BD.697.19

Love
 Nerve Root Retractors,
 Dura Dissectors

BD.698.20

Horsley
 Nerve Root Retractors,
 Dura Dissectors

BD.699.21

Sachs
 Nerve Root Retractors,
 Dura Dissectors

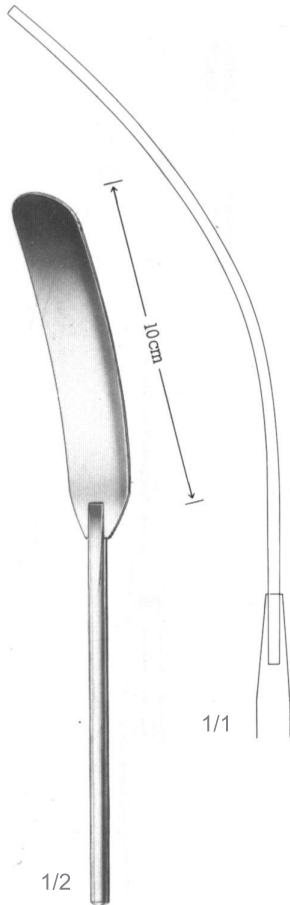
Kolpen

Brain Spatulas

CARDIOVASCULAR SURGERY
 CARDIOVASCULAR-CHIRURGIE
 CIRUGÍA CARDIOVASCULAR

HIRNSPATEL - ESPÁTULAS CEREBRALES

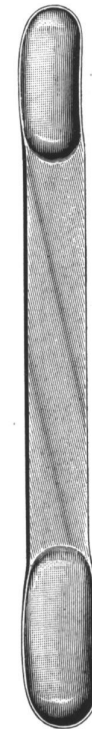
BD



BD.700.08/20
 Heifetz
 Brain Spatulas

- BD.700.08 20,0 cm - 8" 8 mm
- BD.700.11 20,0 cm - 8" 11 mm
- BD.700.14 20,0 cm - 8" 14 mm
- BD.700.17 20,0 cm - 8" 17 mm
- BD.700.20 20,0 cm - 8" 20 mm

malleable



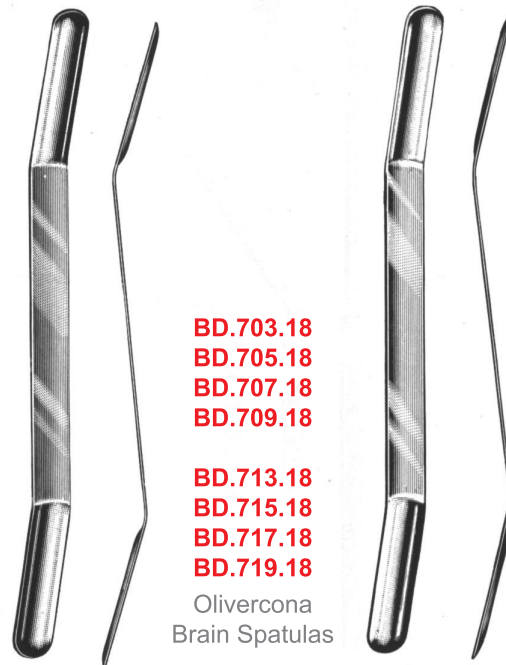
BD.702.17/28
 Cushing
 Brain Spatulas

- BD.702.17
 17,0 cm - 6 3/4"
 8 x 10 mm
- BD.702.20
 20,0 cm - 8"
 13 x 15 mm
- BD.702.28
 28,0 cm - 11"
 16 x 18 mm

width of spatulas

concave	upper end mm	lower end mm	convex
BD.703.18	7	9	BD.713.18
BD.705.18	11	13	BD.715.18
BD.707.18	15	18	BD.717.18
BD.709.18	18	22	BD.719.18

18,0 cm - 7"



BD.703.18
BD.705.18
BD.707.18
BD.709.18

BD.713.18
BD.715.18
BD.717.18
BD.719.18
 Oliverona
 Brain Spatulas

Nerve Root Retractors

NERVWURZELHAKEN - SEPARADORES DE RAÍZ DE NERVIOS

Kolpen

CARDIOVASCULAR SURGERY
 CARDIOVASCULAR-CHIRURGIE
 CIRUGÍA CARDIOVASCULAR

BD



BD.724.23
 23,0 cm - 9"

BD.724.23
 Scoville
 Nerve Root Retractors



BD.725.24
 24,0 cm - 9 1/2"

BD.725.24
 Holsher
 Nerve Root Retractors



BD.727.19
 20,0 cm - 8"

BD.727.19
 Scoville
 Nerve Root Retractors

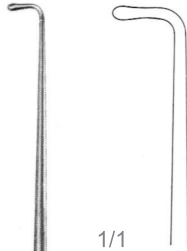


BD.729.19
 21,0 cm - 8 1/2"

BD.729.19
 Martin
 Nerve Root Retractors

BD

BD.738.26
 26,5 cm - 10 1/2"

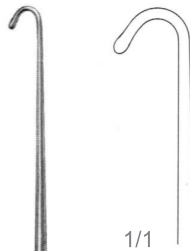


1/1

1/2

BD.738.26
 Groningen
 Nerve Hooks

BD.740.26
 26,5 cm - 10 1/2"



1/1

1/2

BD.740.26
 Groningen
 Nerve Hooks

BD.742.19
 19,0 cm - 7 3/4"

BD.742.28
 28,0 cm - 11"



1/1

BD.742.19/28
 Cushing
 Nerve Hooks

BD.744.19
 19,0 cm - 7 3/4"

BD.744.28
 28,0 cm - 11"



1/1

BD.744.19/28
 Cushing
 Nerve Hooks



1/1

BD.748.17
 17,0 cm - 6 1/2"

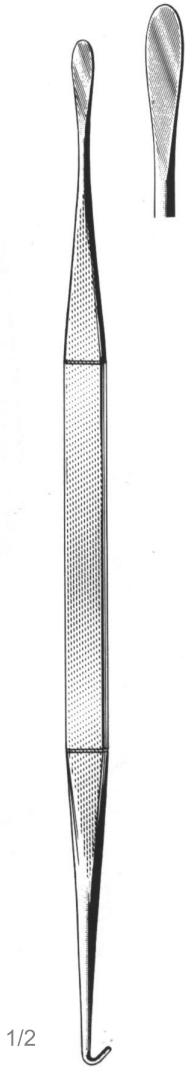


1/1

BD.748.21
 21,0 cm - 8 1/4"

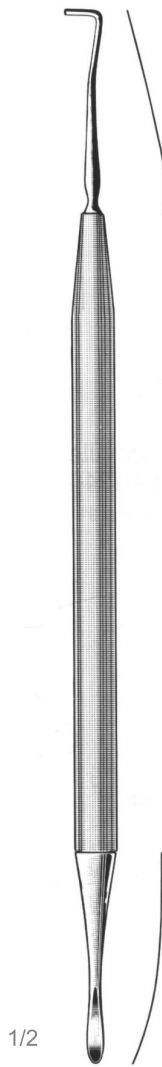
BD.748.17/21
 Cushing
 Nerve Hooks

BD.750.29
29,0 cm - 11 1/2"



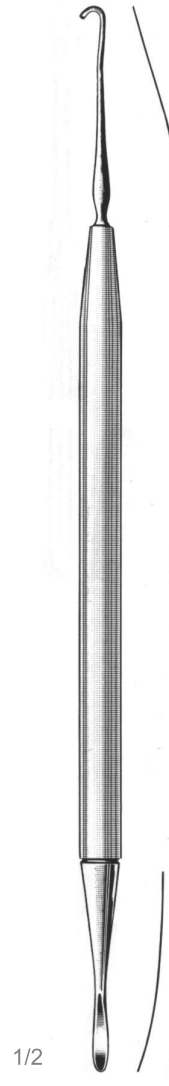
BD.750.29
Smithwick
Nerve Hooks

BD.751.30
30,0 cm - 12"



BD.751.30
Scoville
Nerve Hooks

BD.753.30
30,0 cm - 12"



BD.753.30
Scoville
Nerve Hooks

Kolpen

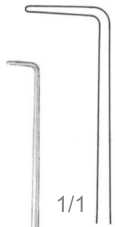
Elevators, Knives, Dura Hooks

CARDIOVASCULAR SURGERY
 CARDIOVASCULAR-CHIRURGIE
 CIRUGÍA CARDIOVASCULAR

ELEVATOREN, MESSER, DURAHAKEN - ELEVADORES, BISTURIES, GANCHOS
 PARA DURA-MADRE

BD

BD.755.22
 22,0 cm -
 8 3/4"



1/2

BD.755.22
 Hoehn
 Elevators,
 Knives,
 Dura Hooks

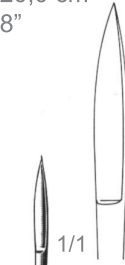
BD.758.20
 20,0 cm -
 8"



1/2

BD.758.20
 Dandy
 Elevators,
 Knives,
 Dura Hooks

BD.810.20
 20,0 cm -
 8"



1/2

BD.810.20
 Halle
 Elevators,
 Knives,
 Dura Hooks

BD.823.20
 20,0 cm -
 8"



1/2

BD.823.20
 Adson
 Elevators,
 Knives,
 Dura Hooks

BD.825.16
 16,5 cm -
 6 1/2"



1/2

BD.825.16
 Graham
 Elevators,
 Knives,
 Dura Hooks

BD.827.18
 18,5 cm -
 7 1/4"



1/2

BD.827.18
 Sachs
 Elevators,
 Knives,
 Dura Hooks

BD.829.15
 15,0 cm -
 6"



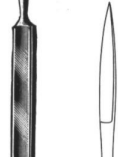
1/2

BD.829.15
 Toeniss
 Elevators,
 Knives,
 Dura Hooks

BD.806.13
 13,0 cm - 5"



BD.806.19
 19,0 cm -
 7 1/2"



1/2

BD.806.13/19
 Toeniss
 Elevators,
 Knives,
 Dura Hooks

BD.831.13
13,0 cm - 5"



1/2

BD.831.13
Lahey
Dura Hooks

BD.833.14
14,0 cm - 5 1/2"



1/2

BD.833.14
Cushing
Dura Hooks

1/1
BD.835.13
13,0 cm - 5"
sharp

1/1
BD.837.13
13,0 cm - 5"
blunt

1/1
BD.835.118
18,0 cm - 7"
sharp

1/1
BD.837.18
18,0 cm - 7"
blunt



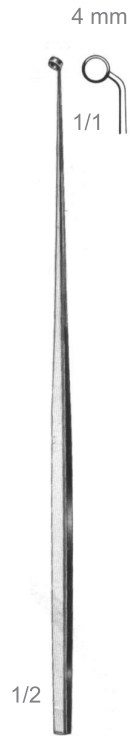
1/2

BD.839.20
Adson
Dura Hooks

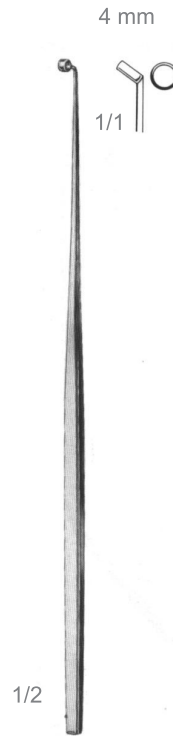
BD



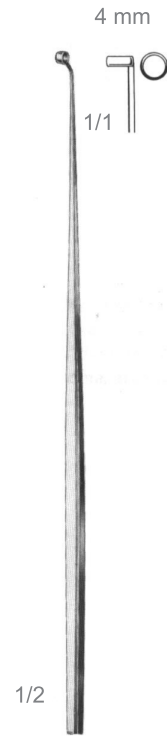
BD.880.04
Pituitary Currettes
BD.880.04
19,0 cm - 7 1/2"



BD.881.04
Pituitary Currettes
BD.881.04
19,0 cm - 7 1/2"



BD.882.04
Pituitary Currettes
BD.882.04
19,0 cm - 7 1/2"

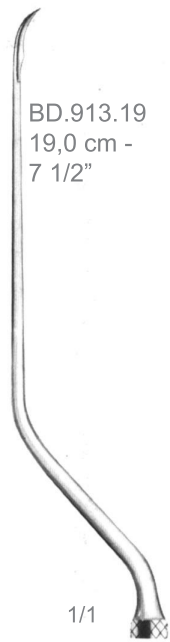


BD.883.04
Pituitary Currettes
BD.883.04
19,0 cm - 7 1/2"

BD.910.19
 19,0 cm - 7 1/2"



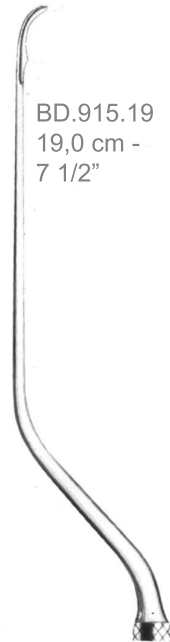
1/1
BD.910.19
 Jacobson
 Micro Instruments



BD.913.19
 19,0 cm -
 7 1/2"

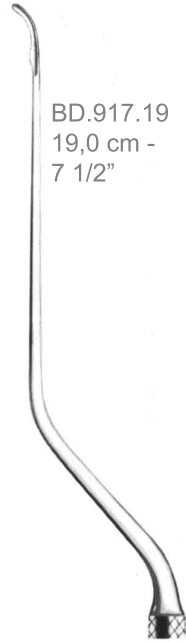
1/1

BD.913.19
 Koos
 Micro Instruments



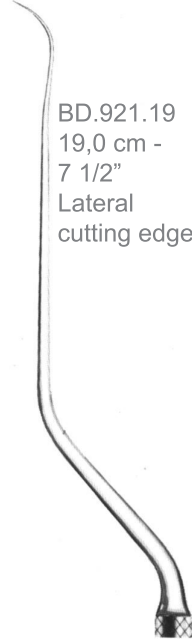
BD.915.19
 19,0 cm -
 7 1/2"

BD.915.19
 Koos
 Micro Instruments



BD.917.19
 19,0 cm -
 7 1/2"

BD.917.19
 Koos
 Micro Instruments



BD.921.19
 19,0 cm -
 7 1/2"
 Lateral
 cutting edge

BD.921.19
 Kraus
 Micro Instruments



BD.923.19
 19,0 cm -
 7 1/2"
 Arachnoid
 Knife

BD.923.19
 Yasargil
 Micro Instruments

BD.940.01/04 - 19,0 cm - 7 1/2"
 Nerve and Vassel Hooks



BD.930.19
 19,0 cm -
 7 1/2"
 Dura Hook

1/1

BD.930.19
 Micro Instruments



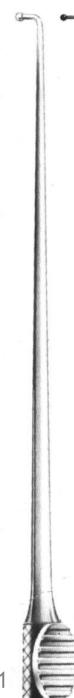
BD.932.19
 19,0 cm -
 7 1/2"
 Delicate
 Hook

1/1

BD.932.19
 Fisch
 Micro Instruments



1/1



1/1



1/1



1/1

BD.940.01/04
 Krayenbühl
 Micro Instruments

Kolpen

Micro Instruments

CARDIOVASCULAR SURGERY
 CARDIOVASCULAR-CHIRURGIE
 CIRUGÍA CARDIOVASCULAR

MIKRO-INSTRUMENTE - INSTRUMENTOS PARA MICROCIRUGÍA

BD

BD.950.01 19,0 cm - 7 1/2"
BD.950.02 19,0 cm - 7 1/2"
BD.950.03 19,0 cm - 7 1/2"
BD.950.04 19,0 cm - 7 1/2"
BD.950.05 19,0 cm - 7 1/2"
BD.950.06 19,0 cm - 7 1/2"
BD.952.19 19,0 cm - 7 1/2"

BD.950.01 Yasargil Micro Instruments
BD.950.02 Yasargil Micro Instruments
BD.950.03 Yasargil Micro Instruments
BD.950.04 Yasargil Micro Instruments
BD.950.05 Yasargil Micro Instruments
BD.950.06 Yasargil Micro Instruments
BD.952.19 Jacobson Micro Instruments

BD.956.19 19,0 cm - 7 1/2"
 Twin Probe

BD.957.01 19,0 cm - 7 1/2"
 Suture Pusher

BD.957.02/04 - BD.959.19 19,0 cm - 7 1/2"
 Nerve and Vessel Hooks

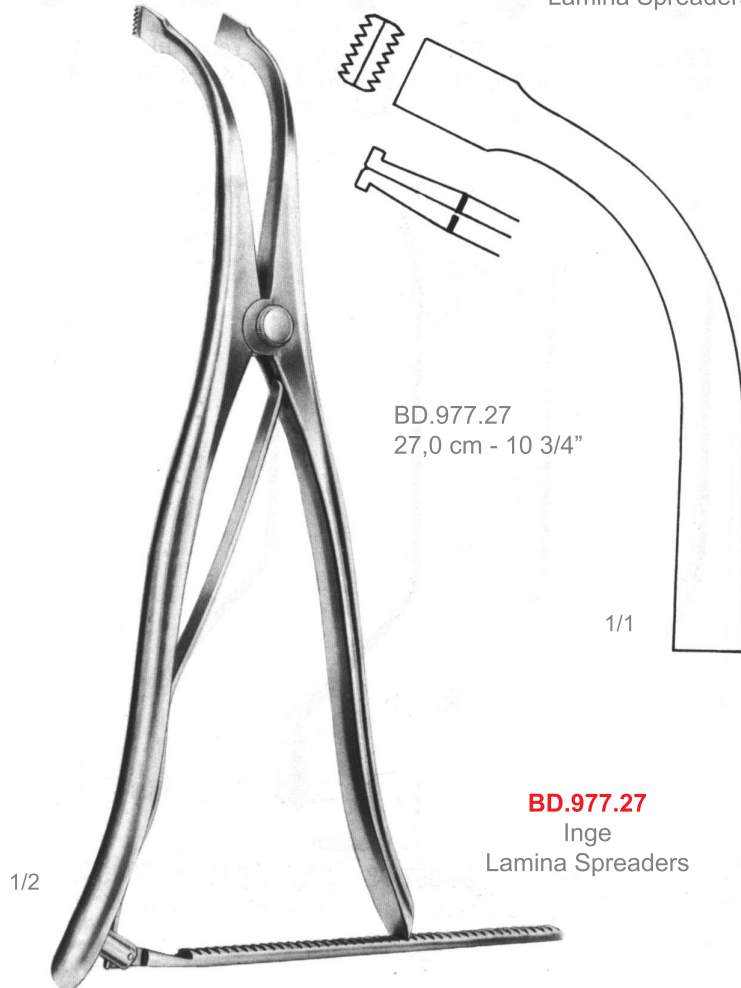
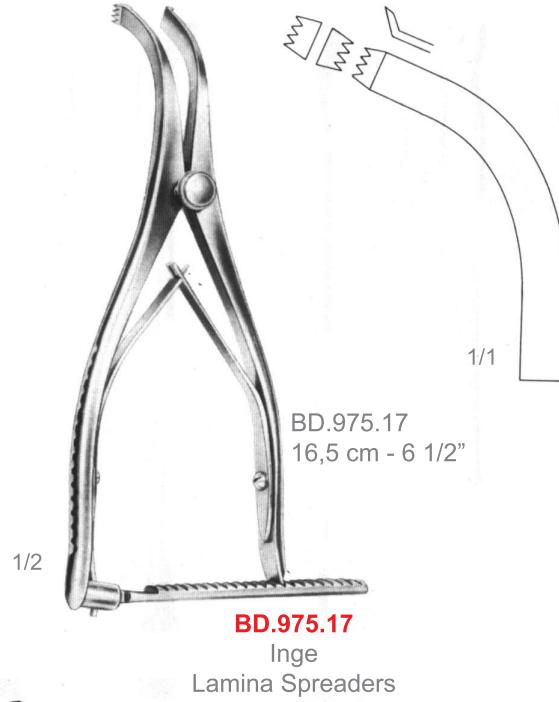
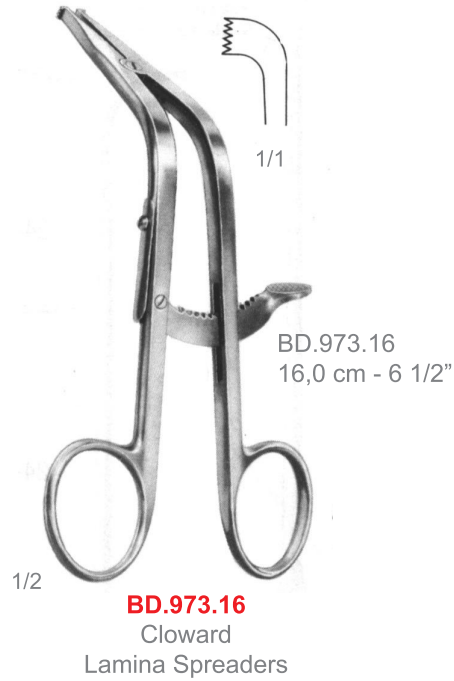
BD.957.02 **BD.957.03** **BD.957.04** **BD.959.19**
 Yasargil Micro Instruments

BD.965.01 19,0 cm - 7 1/2"
 Buttoned Probe

BD.965.01/04 Yasargil Micro Instruments
BD.965.01/04 19,0 cm - 7 1/2"

BD.965.01/04 19,0 cm - 7 1/2"
 Ligature Guides and Carrier, probe pointed

BD.965.01/04 19,0 cm - 7 1/2"
 Scoop



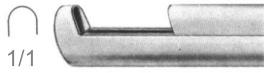
Kolpen

CARDIOVASCULAR SURGERY
CARDIOVASCULAR-CHIRURGIE
CIRUGÍA CARDIOVASCULAR

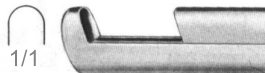
Intervertebral Disc Rongeur with Exchangeable Tips

BANDSCHEIBENSTANZE MIT AUSWECHSELBAREN AUFSÄTZEN -
PINZA CORTANTE PARA DISCOS INTERVERTEBRALES CON PUNTAS
INTERCAMBIABLES

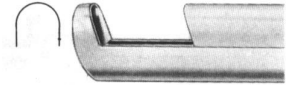
BD



BD.981.04
width of jaw 4 mm



BD.981.05
width of jaw 5 mm



BD.981.06
width of jaw 6 mm



BD.981.01
Handle only

BD.981.00/06
Colclough
Intervertebral Disc
Rongeur

BD.981.00
rotating

The Colclough Intervertebral Disc Rongeur consist of a handle and 3 interchangeable tips of 4, 5 and 6 mm bite. An easy and quick replacement of tips is made possible by simply releasing the fixing screw and pulling up the slide lock. The tips are rotating and can be fixed in any position desired.


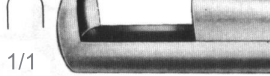

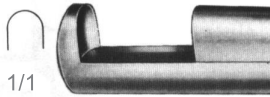
Intervertebral Disc Rongeurs

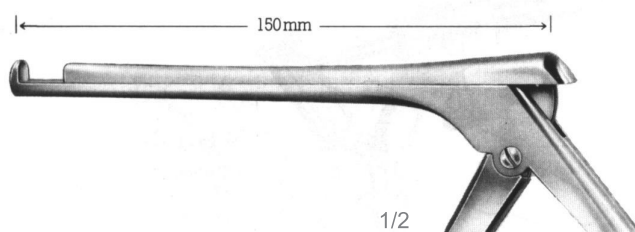
BANDSCHEIBENSTANZEN - PINZAS CORTANTES PARA DISCOS
INTERVERTEBRALES

Kolpen

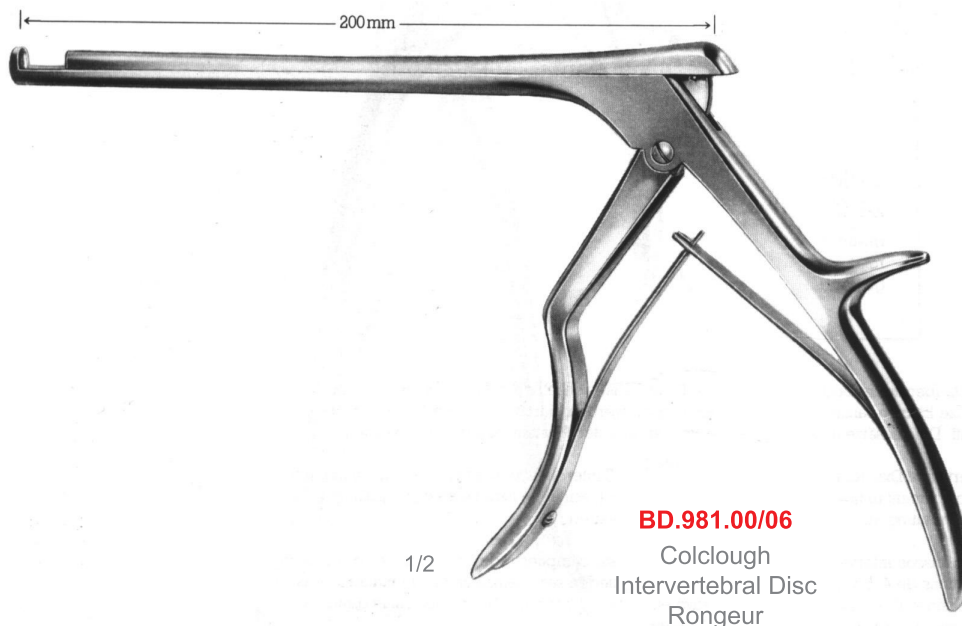
CARDIOVASCULAR SURGERY
CARDIOVASCULAR-CHIRURGIE
CIRUGÍA CARDIOVASCULAR

BD

				
Length of shaft	150 mm 6"	200 mm 8"	150 mm 6"	200 mm 8"
Wide of bite	3 mm	3 mm	5 mm	5 mm
Cat. Ref.	BD.982.03	BD.983.03	BD.982.05	BD.983.05



BD.982.03/05
Colclough
Intervertebral Disc
Rongeurs



BD.981.00/06
Colclough
Intervertebral Disc
Rongeur

Kolpen

Intervertebral Disc Rongeurs

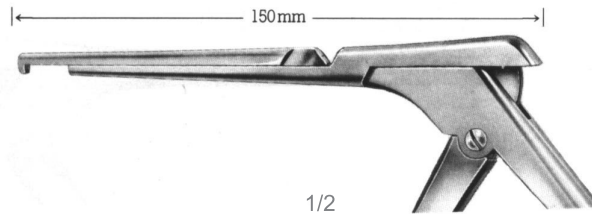
CARDIOVASCULAR SURGERY
 CARDIOVASCULAR-CHIRURGIE
 CIRUGÍA CARDIOVASCULAR

BANDSCHEIBENSTANZEN - PINZAS CORTANTES PARA DISCOS
 INTERVERTEBRALES

BD



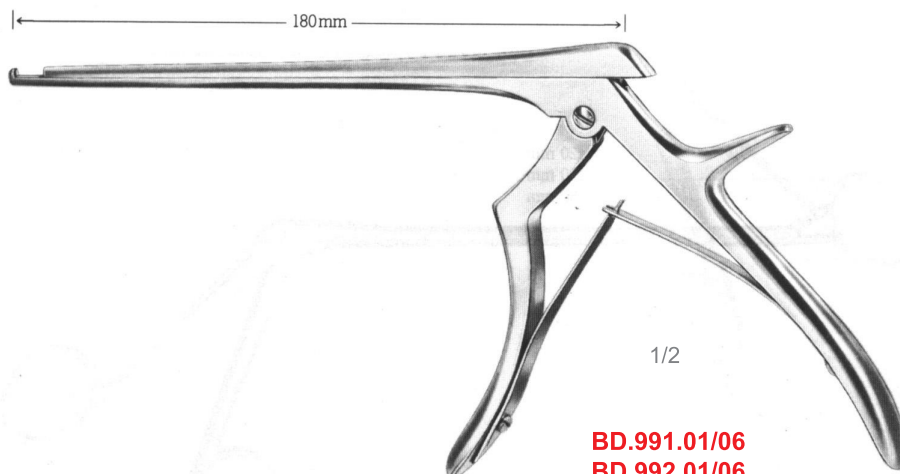
Length of shaft	150 mm 6"	200 mm 8"	150 mm 6"	200 mm 8"
Wide of bite	3 mm	3 mm	5 mm	5 mm
Cat. Ref.	BD.984.03	BD.985.03	BD.984.05	BD.985.05



BD.984.03/05
 Colclough
 Intervertebral Disc
 Rongeurs



BD.985.00/06
 Colclough
 Intervertebral Disc
 Rongeur



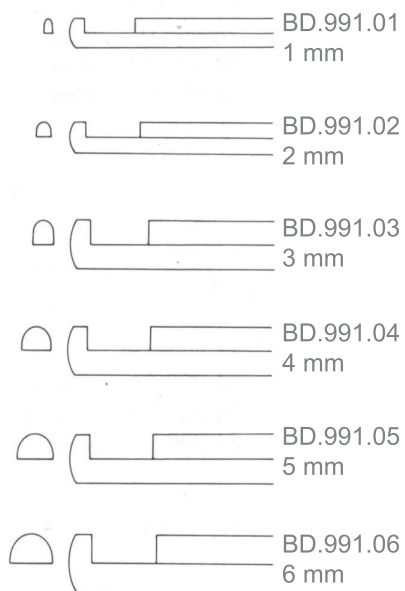
BD.991.01/06
BD.992.01/06
BD.993.01/06

Ferris-Smith-Kerrison
Intervertebral Disc
Rongeurs

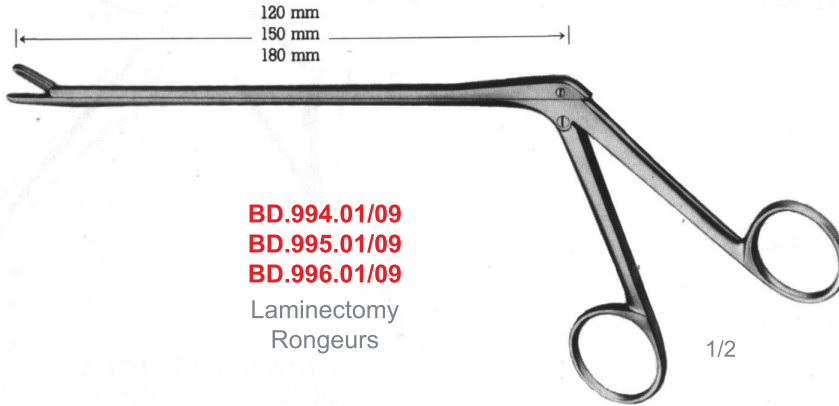
cutting upward

cutting downward

cutting 40° forward



BD

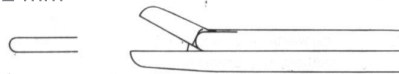


BD.994.01/09
BD.995.01/09
BD.996.01/09

Laminectomy
 Rongeurs

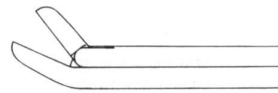
1/2

Cushing
 2 mm



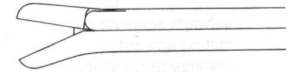
2 x 10 mm

BD.994.01 12 cm
 BD.994.02 15 cm
 BD.994.03 18 cm



2 x 10 mm / 45°

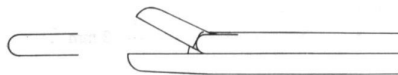
BD.995.01 12 cm
 BD.995.02 15 cm
 BD.995.03 18 cm



2 x 10 mm / 45°

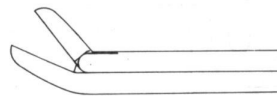
BD.996.01 12 cm
 BD.996.02 15 cm
 BD.996.03 18 cm

Love-Gruenwald
 3 mm



3 x 10 mm

BD.994.04 12 cm
 BD.994.05 15 cm
 BD.994.06 18 cm



3 x 10 mm / 45°

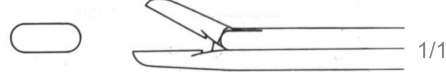
BD.995.04 12 cm
 BD.995.05 15 cm
 BD.995.06 18 cm



3 x 10 mm / 45°

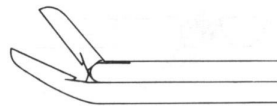
BD.996.04 12 cm
 BD.996.05 15 cm
 BD.996.06 18 cm

Spurling
 3 mm



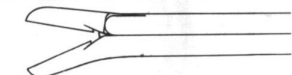
4 x 10 mm

BD.994.07 12 cm
 BD.994.08 15 cm
 BD.994.09 18 cm



4 x 10 mm / 45°

BD.995.07 12 cm
 BD.995.08 15 cm
 BD.995.09 18 cm



4 x 10 mm / 45°

BD.996.07 12 cm
 BD.996.08 15 cm
 BD.996.09 18 cm

